

Service
Service
Service



Service Manual



© Copyright 2007 Philips Consumer Electronics B.V. Eindhoven, The Netherlands
All rights reserved. No part of this publication may be reproduced, stored in a retrieval system or transmitted, in any form or by any means, electronic, mechanical, photocopying, or otherwise without the prior permission of Philips.

**CLASS 1
LASER PRODUCT**



PHILIPS

TABLE OF CONTENTS

Service Aid_ CD playability Check.....	1-1 ... 1-4
Technical specification	2-1
Connections and controls	3-1 ... 3-3
Disassembly Instructor	4-1
Service test program	5-1 ... 5-2
Software upgrading procedure	5-3
Gracenote CD Information.....	5-4
Set block diagram	6-1
Set wiring diagram	7-1
PB-W ifi-light.....	8-1
PB ADIO Input.....	8-2
PB headphone.....	8-3
PB-AF&	
circuit diagram	9-1 ... 9-4
layout diagram	9-5 ... 9-6
PB-KEYS & IR	
circuit diagram	10-1
layout diagram	10-2
HAS Module	11-1
circuit diagram	11-2 ... 11-11
layout diagram	11-12 ... 11-13
Exploded view diagram	12-1
Mechanical & Electrical Partslist	12-2

SERVICE AIDS

Service Tools:

Universal Torx driver holder	4822 395 91019
Torx bit T10 150mm	4822 395 50456
Torx driver set T6-T20	4822 395 50145
Torx driver T10 extended	4822 395 50423

Compact Disc:

SBC426/426A Test disc 5 + 5A	4822 397 30096
SBC442 Audio Burn-in test disc 1kHz	4822 397 30155
SBC429 Audio Signals disc	4822 397 30184
Dolby Pro-logic Test Disc	4822 395 10216

GB WARNING


All ICs and many other semi-conductors are susceptible to electrostatic discharges (ESD). Careless handling during repair can reduce life drastically.
When repairing, make sure that you are connected with the same potential as the mass of the set via a wrist wrap with resistance. Keep components and tools also at this potential.

ESD



GB

Safety regulations require that the set be restored to its original condition and that parts which are identical with those specified, be used

Safety components are marked by the symbol .

**CLASS 1
LASER PRODUCT**

INFORMATION ABOUT LEAD-FREE SOLDERING

Philips CE is producing lead-free sets from 1.1.2005 onwards.

IDENTIFICATION:

Regardless of special logo (not always indicated) one must treat all sets from 1 Jan 2005 onwards, according next rules:



- On our website www.atyourservice.ce.Philips.com you find more information to:
 - * BGA-de-/soldering (+ baking instructions)
 - * Heating-profiles of BGAs and other ICs used in Philips-sets
 - * Lead free

You will find this and more technical information within the "magazine", chapter "workshop news".

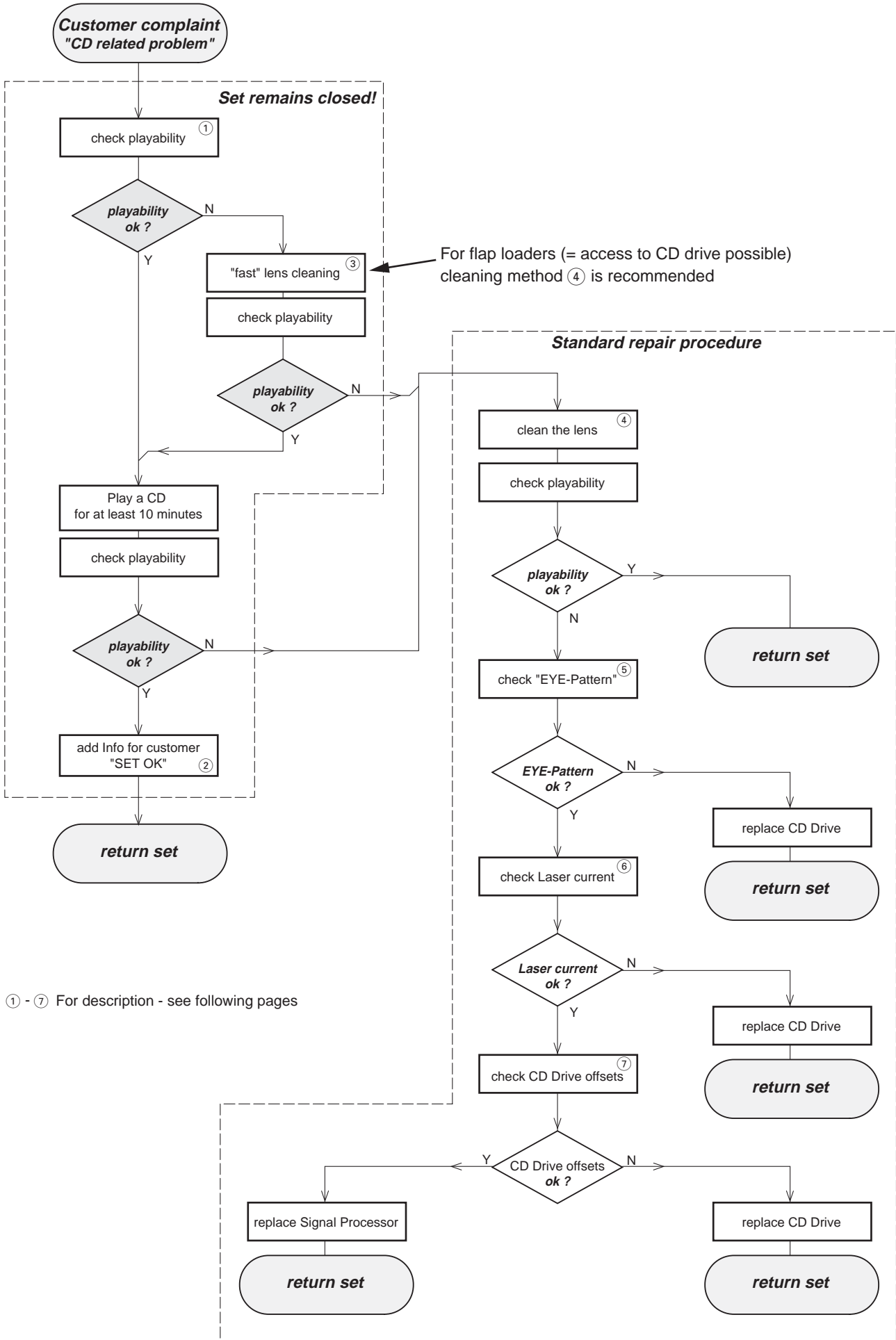
For additional questions please contact your local repair-helpdesk.

SERVICE INSTRUCTION

Safety regulations require that after a repair, the set must be returned in its original condition. Pay in particular attention to the following points:

- Route the wire trees correctly and fix them with the mounted cable clamps.
- Check the insulation of the AC Power lead for external damage.
- Check the strain relief of the AC Power cord for proper function.
- Check the electrical DC resistance between the AC Power Plug and the secondary side (only for sets which have a AC Power isolated power supply):
 1. Unplug the AC Power cord and connect a wire between the two pins of the AC Power plug.
 2. Set the AC Power switch to the "on" position (keep the AC Power cord unplugged!).
 3. Measure the resistance value between the pins of the AC Power plug and the metal shielding of the tuner or the aerial connection on the set. The reading should be larger than 4.5 Mohm (For U.S. it should be between 4.2 Mohm and 12 Mohm).
 4. Switch "off" the set, and remove the wire between the two pins of the AC Power plug.
- Check the cabinet for defects, to avoid touching of any inner parts by the customer.

CD PLAYABILITY CHECK



① - ⑦ For description - see following pages

CD PLAYABILITY CHECK

①

PLAYABILITY CHECK

For sets which are compatible with **CD-RW** discs
 use CD-RW Printed Audio Disc.....7104 099 96611
 TR 3 (Fingerprint)
 TR 8 (600µ Black dot) **maximum at 01:00**

- playback of these two tracks without audible disturbance
 playing time for: Fingerprint ≥10seconds
 Black dot from 00:50 to 01:10
- jump forward/backward (search) within a reasonable time

For all other sets
 use CD-DA SBC 444A.....4822 397 30245
 TR 14 (600µ Black dot) **maximum at 01:15**
 TR 19 (Fingerprint)
 TR 10 (1000µ wedge)

- playback of all these tracks without audible disturbance
 playing time for: 1000µ wedge ≥10seconds
 Fingerprint ≥10seconds
 Black dot from 01:05 to 01:25
- jump forward/backward (search) within a reasonable time

②

CUSTOMER INFORMATION

It is proposed to add an addendum sheet to the set which informs the customer that the set has been checked carefully - but no fault was found. The problem was obviously caused by a scratched, dirty or copy-protected CD. In case problems remain, the customer is requested to contact the workshop directly. The lens cleaning (method ③) should be mentioned in the addendum sheet.

The final wording in national language as well as the printing is under responsibility of the Regional Service Organizations.

③

FAST LENS CLEANING (dry brush)

Use lens cleaning CD
 SBC AC300.....9082 100 00043

Insert the lens cleaning CD, press PLAY and follow the voice guide's instructions on the CD.

④

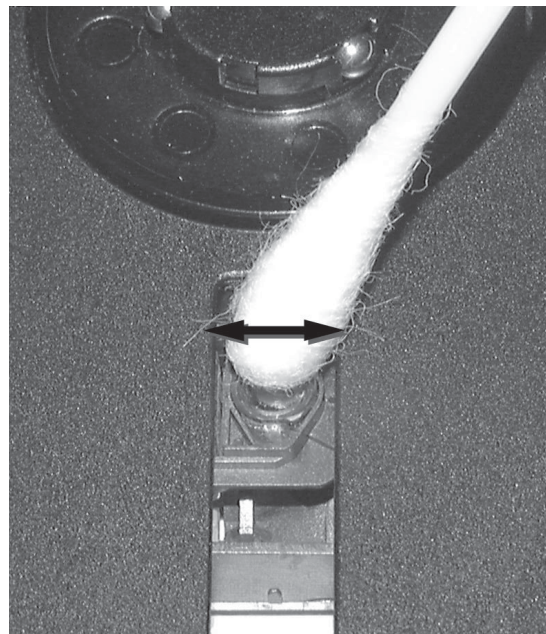
LIQUID LENS CLEANING

Before touching the lens it is advised to clean the surface of the lens by blowing clean air over it. This to avoid that little particles make scratches on the lens.

Because the material of the lens is synthetic and coated with a special anti-reflectivity layer, cleaning must be done with a non-aggressive cleaning fluid. It is advised to use "Cleaning Solvent B4-No2", available with codenumber 4822 389 10026.

The actuator is a very precise mechanical component and may not be damaged in order to guarantee its full function. Clean the lens gently (don't press too hard) with a soft and clean cotton bud moistened with the special lens cleaner.

The direction of cleaning must be in the way as indicated in the picture below.

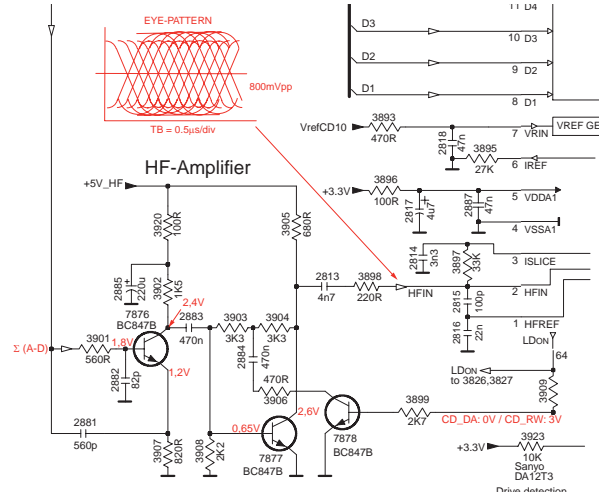


CD PLAYABILITY CHECK

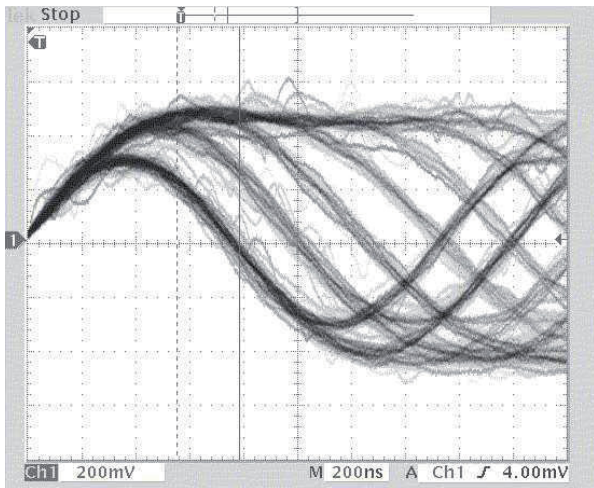
5

EYE-PATTERN SIGNAL – JITTER MEASUREMENT

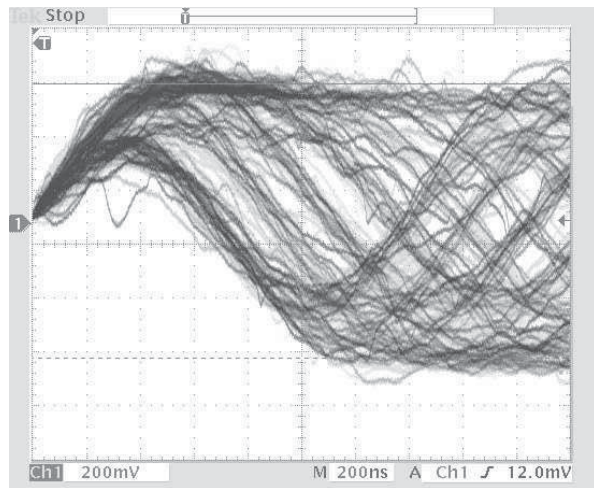
Measure the signal on the input of the Signal processor using an **analog** oscilloscope. Please find the exact measuring point in your Service Manual.



See below examples of the signal. Amplitude should read at least 700mVpp using SBC444A.



good



bad

If the oscilloscope shows a signal like the 'bad' one, and/or the amplitude decreases within 1 minute - the CD drive has to be replaced.

6

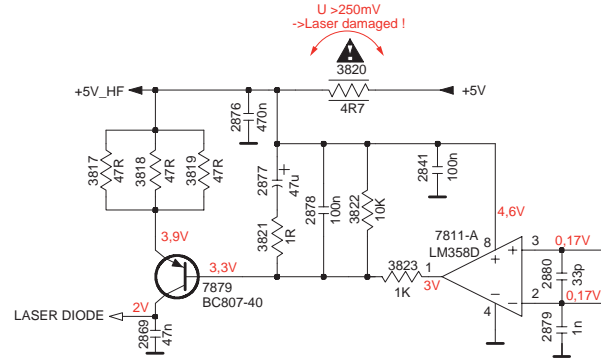
CD DRIVE – LASER CURRENT MEASUREMENT

The laser current can be measured as a voltage drop on a resistor. The resistor is marked in every Service Manual. The value depends on the type of CD drive.

	typical value	most probably defect
VAMxxxx	: 150-230mV	≥350mV
MCDxx	: 170-230mV	≥300mV
DA1x	: 210-250mV	≥350mV
DA2x	: 175-200mV	≥250mV

Use SBC444A (CD-DA) for measurement.

Laser power control



7

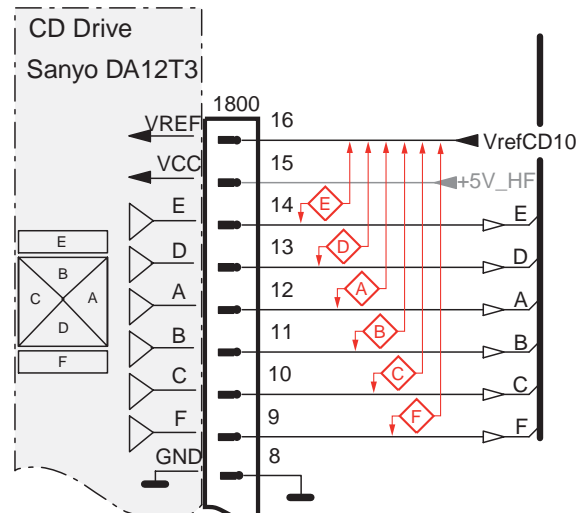
CD DRIVE – OFFSET MEASUREMENT

The photodiodes of the CD-drive may have an offset. These offsets have to be compensated by the signal processor. High offsets can lead to poor playability of some CDs (skipping tracks).

To measure the offset values, start the **Service Test Program** - section "Focus Test" without a CD.

The offsets can be measured with a DC Millivoltmeter directly on the connector (see drawing below). Pin numbering varies from drive to drive.

The values from diode A-D should read $0 \pm 10mV$. Diodes E and F are less critical.



If one of the offsets is higher than $\pm 10mV$ the CD drive has to be replaced. Otherwise replace the Signal Processor.

TECHNICAL SPECIFICATION

General

AC Power230V \pm 10%
 Dimensions (w x h x d)185 x 210 x 248mm
 Weight (with/without speakers).....
approx. 5.5 kg / 3.5 kg

Power consumption

Active.....< 45W
 Standby.....< 20W
 Eco Power Standby< 0.9W

Amplifier

Output power 2 x 40 W (RMS)
 Frequency response 60-20,000Hz, - 3dB
 Signal-to-noise ratio \geq 72 dBA (IEC)
 Input sensitivity
 AUX IN..... 500mV
 Impedance speakers12 Ohm
 Impedance headphones16 Ohm-150 Ohm

Wireless

Wireless standard
802.11g, backwards compatible to 802.11b
 Wireless security
WEP (64 or 128bit), WPA-PSK
 Frequency range 2412-2462 MHz (CH1-CH11)

Wired (LAN / Ethernet)

Wired standard802.3 / 802.3u
 Speed.....10 / 100 MBit/s
 Mode.....half / full duplex
 Crossover detection (Auto MDIX).....Yes

USB player

USB12Mb/s, V1.1
support MP3, WMA and AAC files
 USB class.....MSC, MTP
 Number of albums/foldersmaximum 99
 Number of tracks/titlesmaximum 999

Speakers

2-way bass reflex system
 Dimensions (w x h x d)160 x 208 x 263mm

Tuner

FM wave range87.5-108 MHz
 Number of presets.....60
 FM antenna/cable.....
 COAX / Dipole-antenna (75W IEC-connector)

HDD/CD player

Frequency range60-20,000 Hz, -3 dB
 Signal-to-noise ratio.....72 dBA (IEC)
 MPEG 1 Layer 3 (MP3-CD)MPEG AUDIO
 MP3-CD bit rate
32-320 kbps, VBR
 WMA bit rateup to 160 kbps
 Sampling frequencies.....32, 44.1, 48 kHz
 HDD storage capacity80GB*
 Recording quality
128, or 160, or 192, or 256, or 320 kbps
 Recording speed.....1x, 4x
 CDDDB (CD recognition database).....
internal Gracenote® / online access enabled

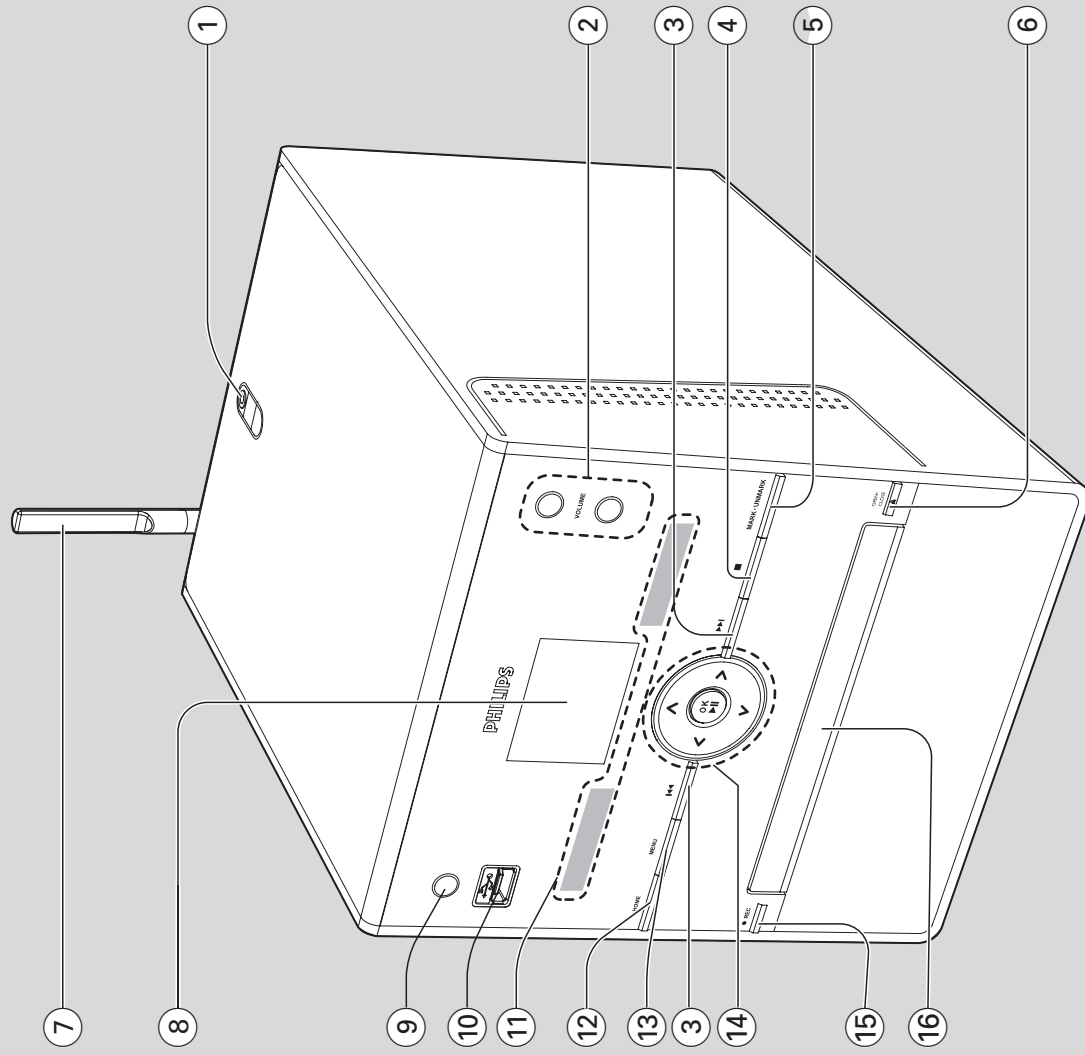
Actual free space is 75GB or less due to the buffer partition for MP3 Compression , firmware ,music CD database and demo tracks storing.

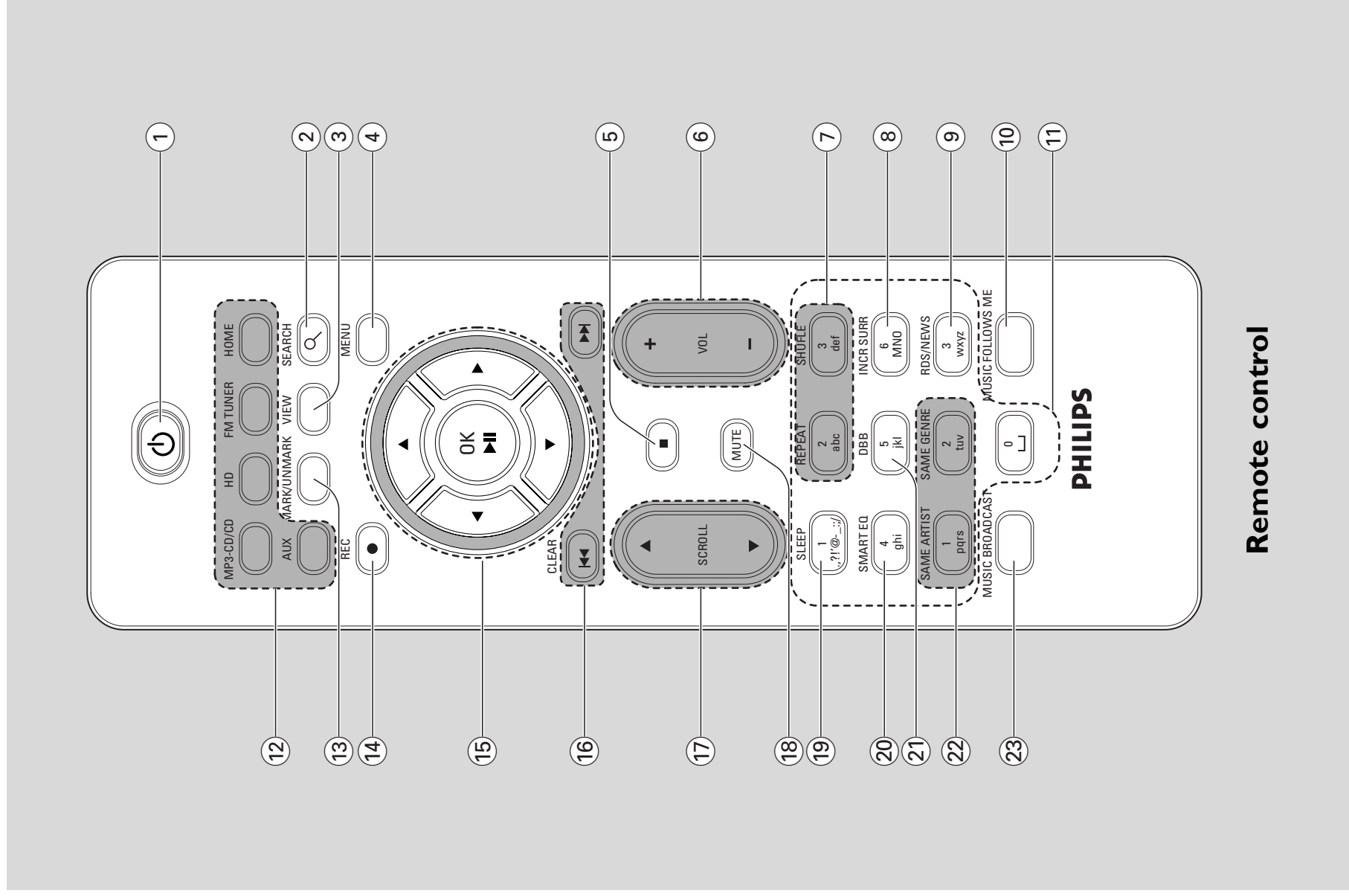
Controls

2.1 Controls on The Center (Top and front panels)

- ① 3.5 mm headphone socket
- Helpful hints:**
 - Adjust the volume to a moderate level before plugging in the headphones.
 - Connecting headphones will switch off the speakers.
- ② **VOL + / -** adjusts the volume level
- ③ **HD/CD/UPnP/Portable:** skips/searches tracks/passage backward/forward (in playback screen)
- **FM Radio:** go to previous / next preset radio station (in tuner playback screen)
- ④ **Text entry:** deletes the input before cursor
- ④ **STOP** stops playback or recording
- ⑤ **MARK•UNMARK** Selects or deselects tracks to be recorded
- ⑥ **OPEN/CLOSE** opens or closes the CD door
- ⑦ **Wi-Fi antenna**
- ⑧ **DISPLAY** shows status of the set
- ⑨ **STANDBY-ON/ ECO POWER**
 - press briefly to switch on the set or put it on standby mode;
 - press and hold to switch the set to power-saving mode or on
- **Green indicator:** lights up in green when the set is switched on
- **Red indicator:** lights up in red when the set is switched to standby mode or power-saving mode
- ⑩ jack for the external USB device
- ⑪ **IR** sensor for the infrared remote control
- Helpful hint:**
 - Always point the remote control towards this sensor.

- ⑫ **HOME**
 - selects sound source: HD (hard disk), CD, Radio, UPnP, Portable or AUX
 - In standby mode: switches the set on and selects sound source: HD, CD, Radio, UPnP, Portable or AUX
- ⑬ **MENU**
 - enters or exits setup menu
- ⑭ **◀ / ▶ / ▲ / ▼**
 - navigation controls (left, right, up, down) for scrolling through the option lists
- **HD/CD/UPnP/Portable:** returns to previous option lists
- **▲ / ▼** HD/CD/Portable/UPnP: skips/searches tracks/passage backward/forward (in playback screen); fast scrolling in option lists
- **FM Radio:** tunes to radio stations
- **▲** confirms selection
- **FM Radio:** enters the list of preset stations
- **OK/▶||** starts or pauses playback
- ⑮ **RECORD**
 - **CD/FM Radio/AUX:** starts to record onto the hard disk
- ⑯ **CD door**





Remote control

2.2 Remote control

- ① **⏻** press briefly to switch on the set or put it on standby mode;
- press and hold to switch the set to power-saving mode
- ② **SEARCH** enters the search mode and searches by keywords
- ③ **VIEW** toggles between playback screen and previous option list
- ④ **MENU** enters or exits setup menu
- ⑤ **■** stops playback or recording
- ⑥ **VOL + / -** adjusts the volume level
- ⑦ **REPEAT** selects continuous playback
- **SHUFFLE** selects random playback
- ⑧ **INCR. SURR.** selects surround sound effect
- ⑨ **RDS/NEWS** Radio: selects RDS information
HD/CD/UPnP/Portable/AUX: toggles between NEWS function on or off
- ⑩ **MUSIC FOLLOWS ME** HD: moves music playback between Center and Station
- ⑪ **Alphanumeric keys** for text entry
- ⑫ **MP3-CD/CD** selects CD source
- In standby mode: switches on the set and selects the CD source.
- HD** selects HD (hard disk) source
- In standby mode: switches on the set and selects the HD source
- FM TUNER** selects FM RADIO source
- In standby mode: switches on the set and selects the FM RADIO source

- HOME** select from: HD source, CD source, Radio source, UPnP source, Portable source or AUX (from a separately connected device)
- In standby mode: switches on the set and select from the following music source: HD, CD, Radio, UPnP, Portable or audio input from a separately connected device
- AUX** selects AUX source
- In standby mode: switches on the set and selects the AUX source
- ⑬ **MARK/UNMARK** Selects or deselects tracks to be recorded
- ⑭ **REC ●** CD/Radio/AUX: starts to record onto the hard disk
- ⑮ **◀ / ▶ / ▲ / ▼** navigation controls (left, right, up, down) for scrolling through the option lists
- **HD/CD/USB/UPnP:** returns to previous option lists
- **Text input:** moves the cursor backward ▲ / ▼
- **HD/CD/USB/UPnP:** skips/searches tracks/passage backward/forward (in playback screen); fast scrolling in option lists
- **FM Radio:** tunes to radio stations ▲
- confirms selection
- **FM Radio:** enters the list of preset stations
- **Text entry:** confirms input and moves the cursor forward
- OK/▶||** Confirm selection
- Starts playing
- ⑯ **◀◀ (CLEAR) / ▶▶** HD/CD/USB/UPnP: skips/searches tracks/passage backward/forward (in playback screen)
- **FM Radio:** go to previous / next preset radio station (in tuner playback screen)
- **◀◀ (CLEAR)** Text entry: deletes the input before cursor
- ⑰ **SCROLL ▲ / ▼** scrolls the display screen upward or downward

Controls

- ⑱ **MUTE**
 - temporarily switches off the sound
- ⑲ **SLEEP**
 - adjusts, displays or switches off the sleep timer
- ⑳ **SMART EQ**
 - HD: selects the sound settings that match the current Genre
- ㉑ **DBB (Dynamic Bass Boost)**
 - toggles the bass enhancement on (DBB1, DBB2, DBB3) or off
- ㉒ **SAME GENRE**
 - HD: plays all the tracks of current Genre
- SAME ARTIST**
 - HD: plays all the tracks of current Artist
 - HD: enable Wireless Range Extender (refer to Extender's manual for details)
- ㉓ **MUSIC BROADCAST**
 - HD: broadcasts music from Center to Station

For more information on operation instruction please visit Philips
Audio internet site :
<http://www.audio.philips.com>

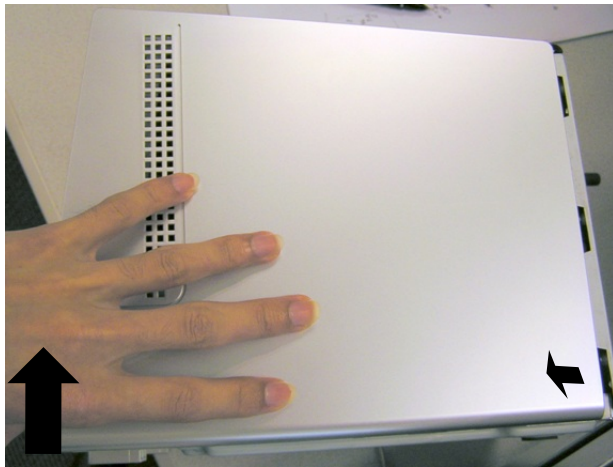
DISASSEMBLY INSTRUCTION

1. Remove Left & Right Cabinet

- a. remove screws M3x12 - 4 pcs



- b. pull the left or right cabinet and then lift it.



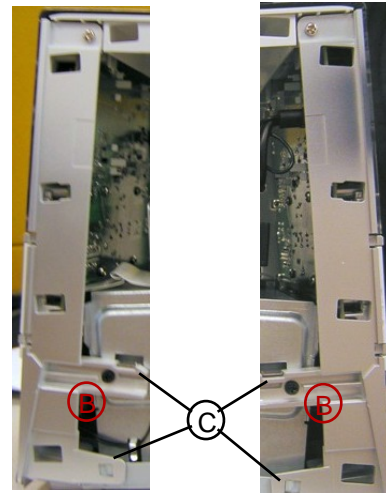
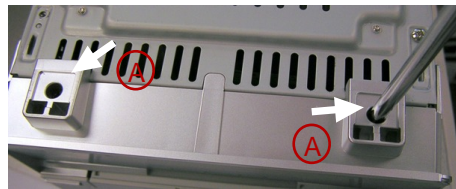
2. Remove Top Cabinet

- a. remove screws M3x10 - 2 pcs (A)
- b. remove screws M3x10 - 2 pcs (B)
- c. lift the Top Cabinet



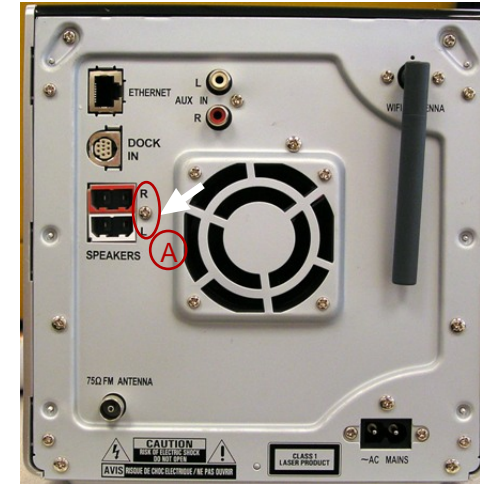
3. Separate Front and Back Cabinet.

- a. remove screws T3x10 - 2 pcs. (A)
- b. remove screws T3x10 - 2 pcs. (B)
- c. release the catches. (C)
- d. pull out the front cabinet.



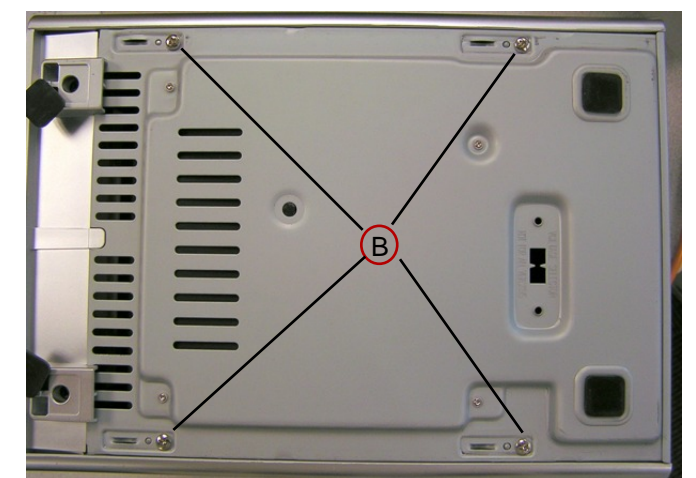
4. Remove Amplifier board

- a. remove screws M3x10 - 2 pcs (A)
- b. remove screws M3x10 - 2 pcs (B)

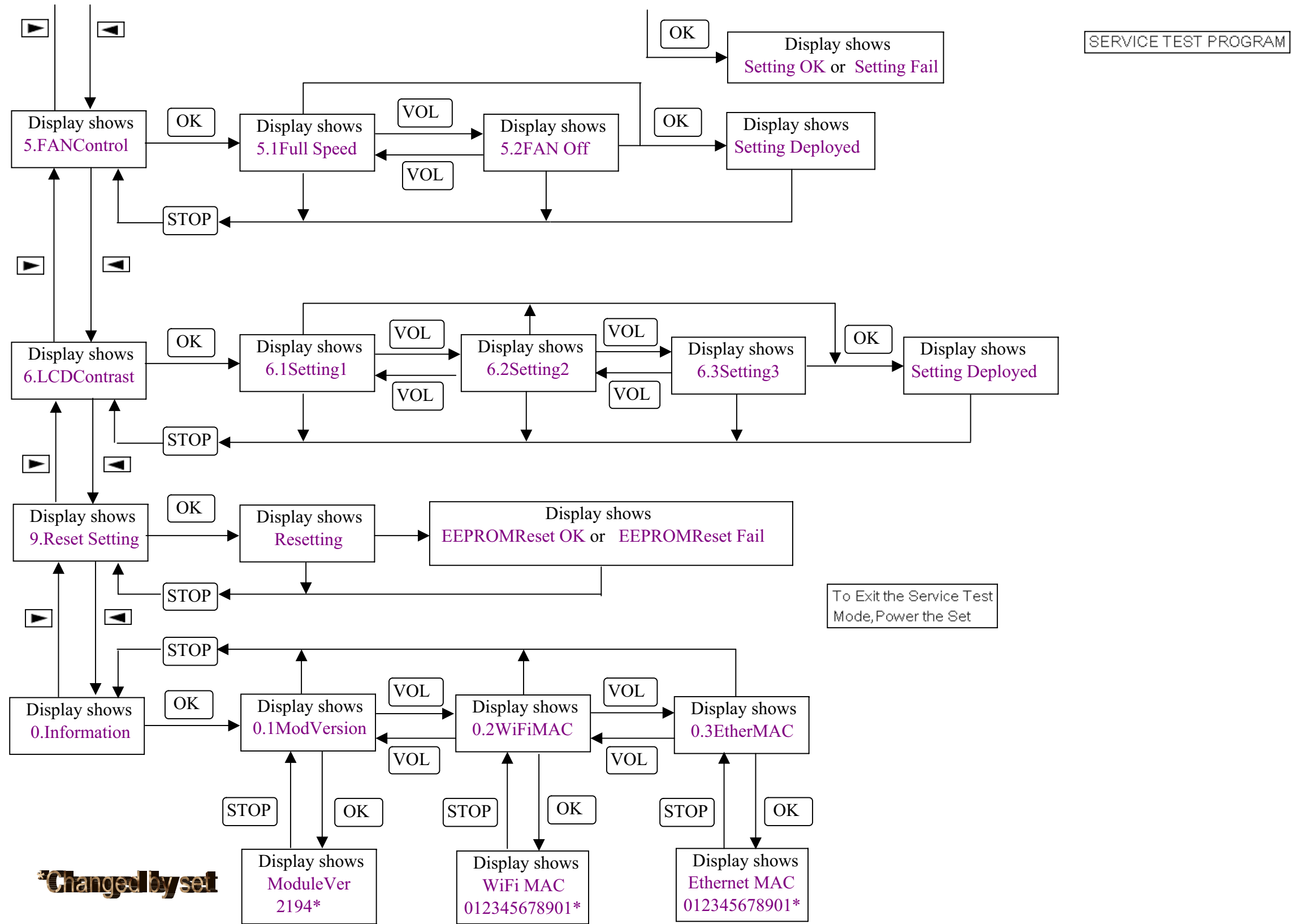


3. Separate rear and bottom Cabinet.

- a. remove screws T3x6 - 6 pcs. (A)
- b. remove screws T3x6 - 4 pcs. (B)



SERVICE TEST PROGRAM



SOFTWARE UPGRADING PROCEDURE

Software Version Verification Procedure

It is important to write down the system version information of your Center before you start the upgrade procedure. This information is also useful in case you need to call Philips Customer Care Center.

1. Press **MENU**.
2. Press **▲/▼** to select "Information". Press **OK**.
3. Press **▲/▼** to select "System". Press **OK**.
4. The software version number is shown on the display.
5. If the software version is not the latest one, you need to upgrade waC3500D.

There are 3 ways to update the software.

- A) Using CD-Rom
- B) Using WADM

A. Using CD-Rom

1. Software Upgrade Disc Preparation

Tools Required : You will need the following items :

- PC (Pentium III 300MHz processor or higher)
- CD-R/RW writer and writing application software
- Blank CD-R or CDRW disc
- Broadband / High speed internet connection

2. How to download the software to your computer

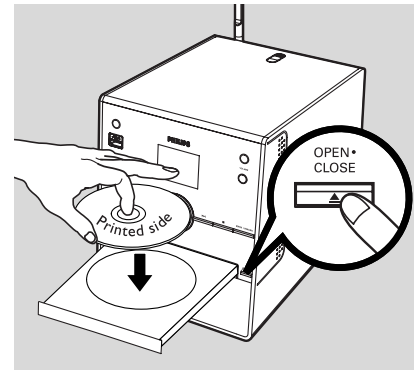
1. To download free firmware and software upgrades for your product, please login to www.club.philips.com
Download the firmware upgrade files and store them on your PC
2. Unzip the .zip file and extract files into your PC.

Note:

- Please do not rename the filename.
- If you do not have the software to open the .zip file, please visit below website to download the software.
<http://www.winzip.com/>

3. Steps to upgrade the waC3500D

1. Make sure the Audio Station has connected to the Audio Center.
2. Burn the file to blank CD-R or CDRW. Finalize the disc. (The application may do this automatically.)
3. Turn on the Audio Center and turn on the Audio Station, insert the CD to the slot loader, CD graphic printed side facing you.



4. The Audio Center will upgrade automatically.
 - The message "Updating firmware, please wait....." and the "process bar" show on the display of the Audio Center.
 - The upgrade process of the Center will reboot twice

Note: Do NOT power off the Audio Center or eject the disc at this stage.

5. It takes around 5 mins to complete the firmware upgrade for the Audio Center.

6. When done, the Audio Center will go to the HD mode automatically.

4. After the upgrade

Do confirm the software version by checking the system version.
Please follow the procedure described in the section "Software Version Verification Procedures".

B. Upgrading firmware

The supplied PC Installer CD Wireless Audio Device Manager (WADM) helps you get the upgrades for WAC3500 Center.

- 1 Register your Philips Wireless Music Center with www.club.philips.com
- 2 Download the firmware upgrade files and store them on your PC
- 3 Place Center on a flat and firm surface
- 4 Connect Center to power supply
→ HD screen appears on Center
- 5 Connect Center to your PC via the supplied ethernet cable.
- 6 Install and launch WADM (see **Connect to your PC section B**)
- 7 Click **Device Configuration**, and then click the **Firmware upgrade** sub-menu
- 8 As prompted, click **Browse** and indicate the location where you kept the firmware upgrade files on PC



- 9 Click **Apply** to start upgrading firmware
On Philips Wireless Music Center:
→ The display shows "Updating firmware, please wait..."
→ Center will reboot itself during the installation process
→ When Center returns to HD screen, the installation is completed

IMPORTANT!

- On Philips Wireless Music Center**
- Never interrupt the firmware upgrading before its completion.
- Before finishing the installation, never operate other functions.

* Hints: Restoring previous firmware

After the Center's firmware is upgraded, you can restore it to its previous version as desired.

- 1 Select HD mode, and then select **Restore firmware**
 - a. Press **MENU** to enter the MENU screen
 - b. Press the navigation controls **▲** or **▼** and **▶** to enter **Settings, Firmware** and **Restore firmware** one by one.
- 2 Press **▶** to select **Yes**

Helpful hint:

– After restoration to previous firmware, the set will lost Wi-Fi links to associated stations or external network.

* Reset

When to reset the Center:

- Resetting the Center helps to re-establish the Wi-Fi connection between the Center and Station.
- Change the way the Center connects to an external Wi-Fi/wired network.

- 1 Check that the set is switched on (see **5.Basic functions**).
- 2 Press **MENU** to enter the menu screen
- 3 Press the navigation controls **▲** or **▼** and **▶** to enter **Settings** followed by **Restore settings**.



- 4 Press **▶** to select **Yes**
→ The set is rebooted. Language selection screen appears.
- 5 Select your desired language: **English, Français, Español, Nederlands, Italiano** or **Deutsch**
→ The set enters Installation Mode
→ The search for Center starts. The Wi-Fi connection is being re-established

Helpful hint:

- After restoration to default settings, the network mode will go back to Ad-Hoc mode.
- Restoring to default settings does not delete any stored music tracks

Gracenote CD Information

The Gracenote music recognition service enables the set to look up CD track information (including album, artist, genre, track information) from its built-in database. It allows the recorded CD tracks to be properly categorized (for example, under Artists, Albums, Genres or All tracks) and also be merged with the existing tracks in the hard disk.

12.1 Gracenote music recognition database

A 800 MB CD database (contains 800,000 most popular CDs) is embedded in every WAC3500 Center for quick look-up on track information. An update file that contains newly released CDs is available quarterly on www.club.philips.com for download.

12.1.1 To update Gracenote music recognition database

- 1 Use your PC to register your product on www.club.philips.com and go to "Show Upgrades & Support" page to download Gracenote Music recognition database update. Note that the updates are posted quarterly and each update is independent of each other; i.e. a later update could be installed without an earlier update.
- 2 After storing the file on your PC, you can either burn a CD with the update file using your favorite CD burning software and drop the CD into the WAC3500 Center for automatic update, or you can use WADM's Gracenote update option if you have connected your PC to WAC3500 Center.

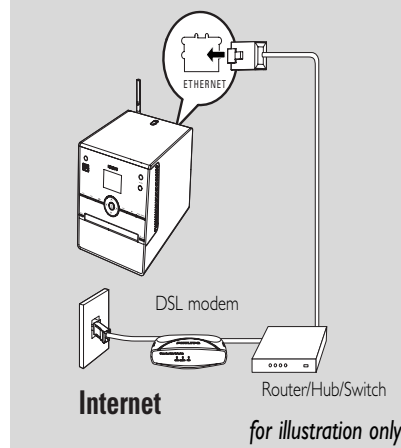
12.2 Gracenote Internet Query

If the CD track information of your new CD disc cannot be displayed on the WAC3500, the quickest and surest solution is to look it up from the internet by following steps below.

12.2.1 Connecting to the Internet

- 1 Check that you have connected the Center to an Access Point or Router with Internet access or connect the Center to an ADSL modem with Internet access directly

Connect to Internet for Gracenote Internet services



Helpful hint:

– Make sure that no dial-up, user name or password is required for the Internet access.

- 2 Set DNS and Gateway
 - **If you are using a DHCP* enabled Access Point, Router or ADSL modem**, the DNS and Gateway can be got automatically, so you need only to set the Center to Automatic (DHCP) mode by following steps below:

*DHCP stands for Dynamic Host Configuration Protocol. It is a protocol for assigning dynamic IP addresses to devices on a network.

 - a. Press **MENU**
 - b. Press **▲** or **▼** and **▶** to select **Settings > Network > Wired**
 - c. Press **▶** to continue
 - d. Press **▲** or **▼** and **▶** to select **Automatic (DHCP)**.
 - **If there is no DHCP**, set the DNS and Gateway manually by following steps below:

On your PC, carry out the following steps:

 - a. Click **Start > Run**

```
C:\WINDOWS\system32\cmd.exe
Microsoft Windows XP [Version 5.1.2600]
(C) Copyright 1985-2001 Microsoft Corp.
C:\Documents and Settings\philips>ipconfig/all
```

- b. Type **cmd** and click **OK**
- c. Type **ipconfig/all**

- d. Write down the DNS and Gateway of the current connection

```
C:\WINDOWS\system32\cmd.exe
Microsoft Windows XP [Version 5.1.2600]
(C) Copyright 1985-2001 Microsoft Corp.
C:\Documents and Settings\philips>ipconfig/all
Windows IP Configuration
Host Name . . . . . : Test42
Primary Dns Suffix . . . . . :
Node Type . . . . . : Hybrid
IP Routing Enabled. . . . . : No
WINS Proxy Enabled. . . . . : No
Ethernet adapter Local Area Connection:
Connection-specific DNS Suffix . :
Description . . . . . : 3Com 3C920 Integrated Fast Ethernet Controller (3Com5C92K Compatible)
Physical Address. . . . . : 00-06-5B-53-50-A0
Dhcp Enabled. . . . . : No
IP Address. . . . . : 192.31.197.5
Subnet Mask . . . . . : 255.255.0.0
Default Gateway . . . . . :
```

On the Center

- a. Press **MENU** to enter the menu screen
- b. Press **▲** or **▼** and **▶** to enter **Settings > Network > Internet**
- c. Press **▶** to continue
- d. Set DNS



- 1) Enter the DNS server you wrote down
- 2) Press **OK▶||** to confirm
- 3) Press **OK▶||** to skip Set DNS2

Helpful hint:

– If necessary, follow Steps 1) to 2) above to set a secondary DNS server in Set DNS2

- e. Set Gateway
 - 1) Enter the Gateway you wrote down
 - 2) Press **OK▶||** to confirm
- f. Set proxy

If you are using a proxy server to visit websites, enable Proxy and proceed with the proxy setting as prompted, then press **OK▶||** to confirm

Otherwise, press **OK▶||** to skip
- 3 Choose to apply the settings as prompted

→ Settings will change. **Connection to station could be lost** appears.

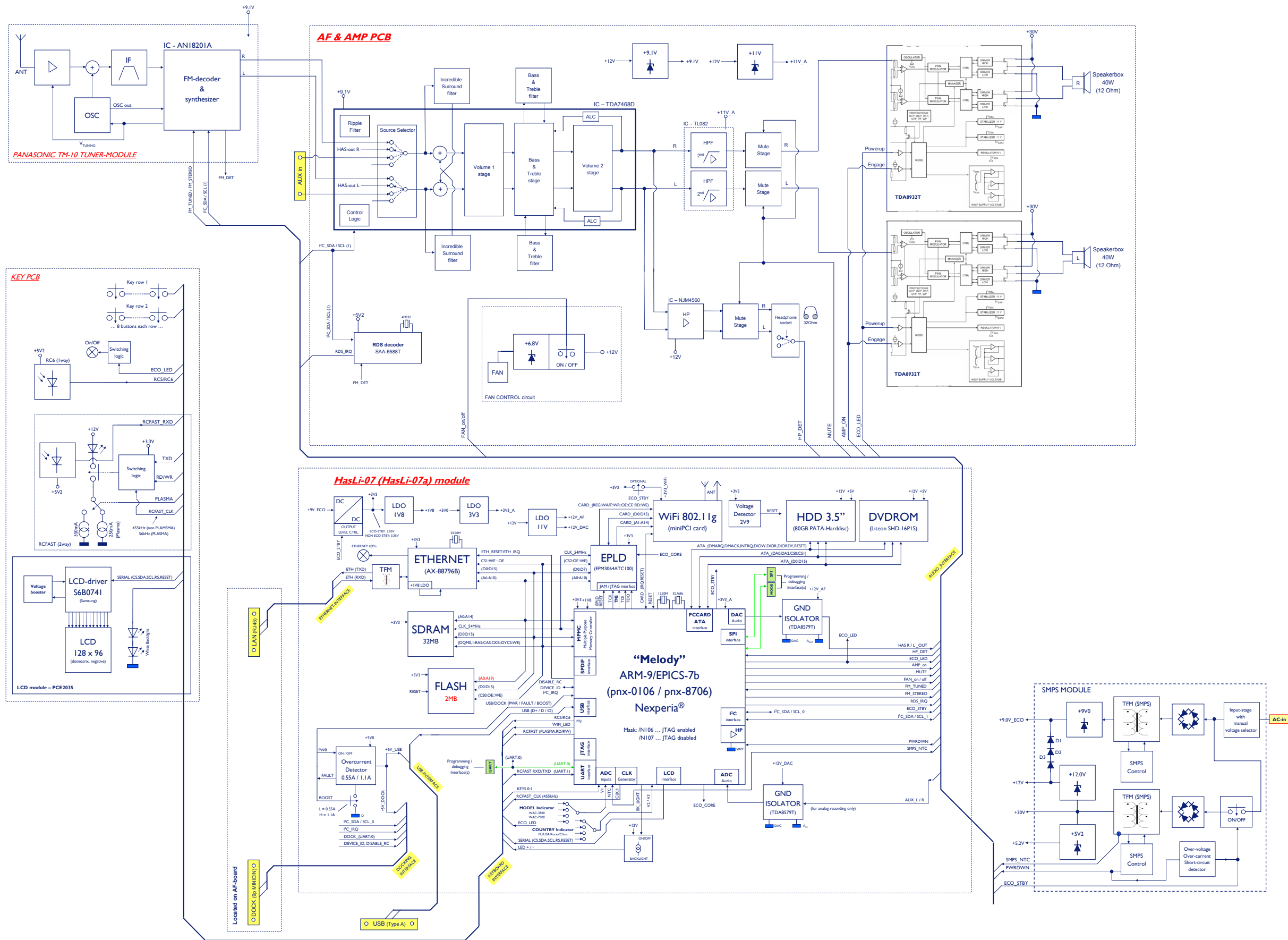
12.2.2 Looking up CD track information

When the internet connection is made, insert the CD disc that you want to look for its information into the CD loader on the Center. Searching start immediately. It will search from local Gracenote CD database firstly. If can't find the CD track information, online searching will then start. The searching results will be shown on the Center's display.

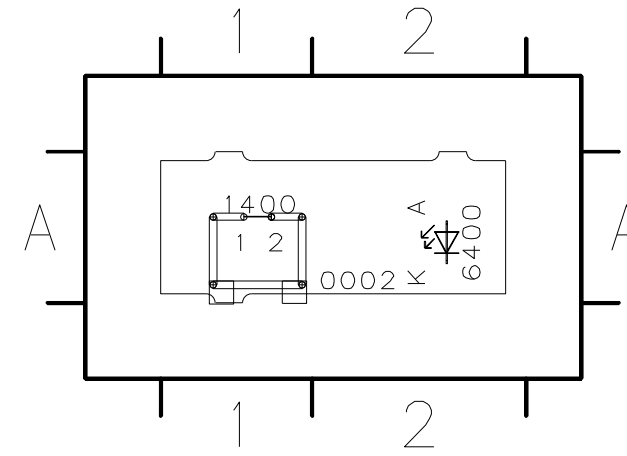
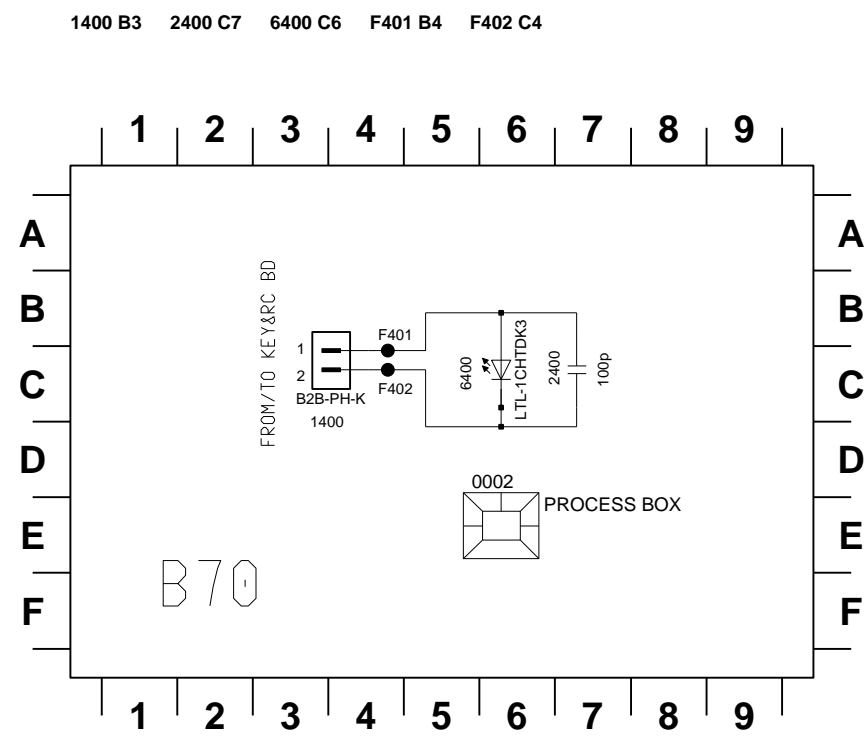
Helpful hint:

If the internet query failed due to failure in internet connection, the error message "Check the internet setup for Gracenote online" will appear. Check if your internet connection is correct (see **12.2.1** above)

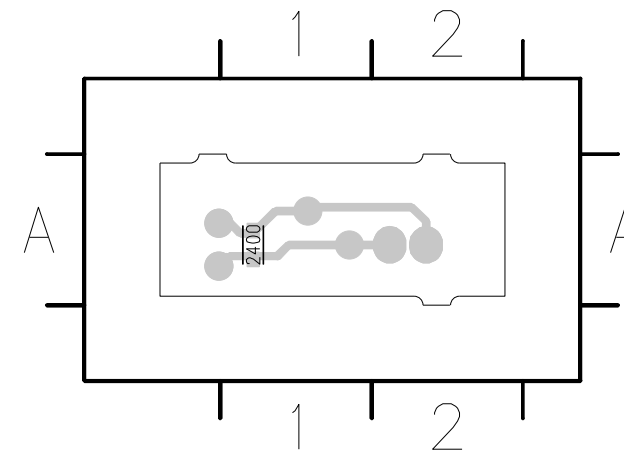
SET BLOCK DIAGRAM



PB-Wifi-light



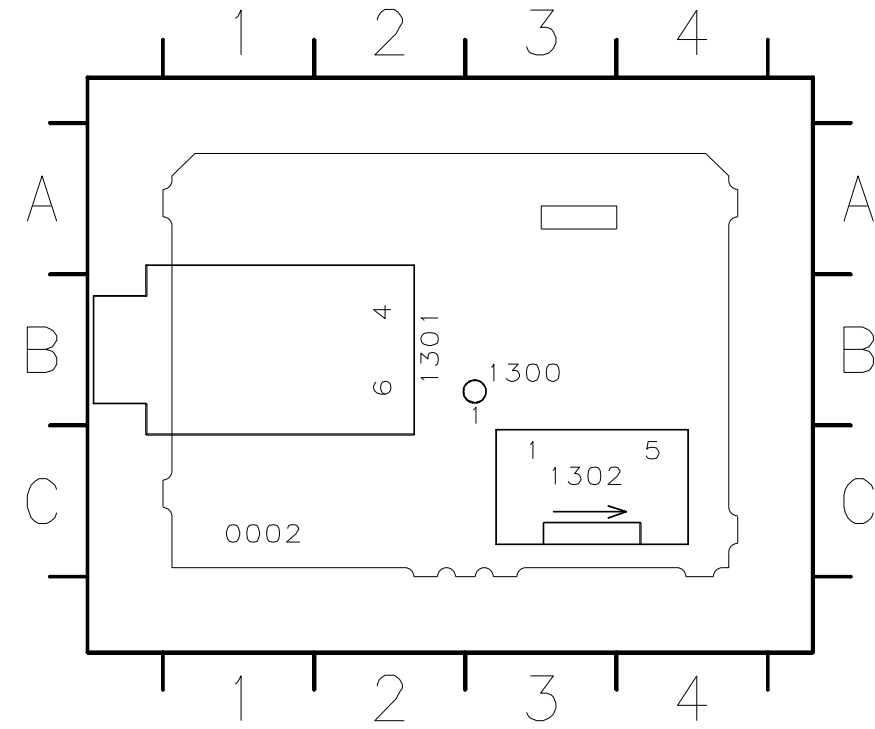
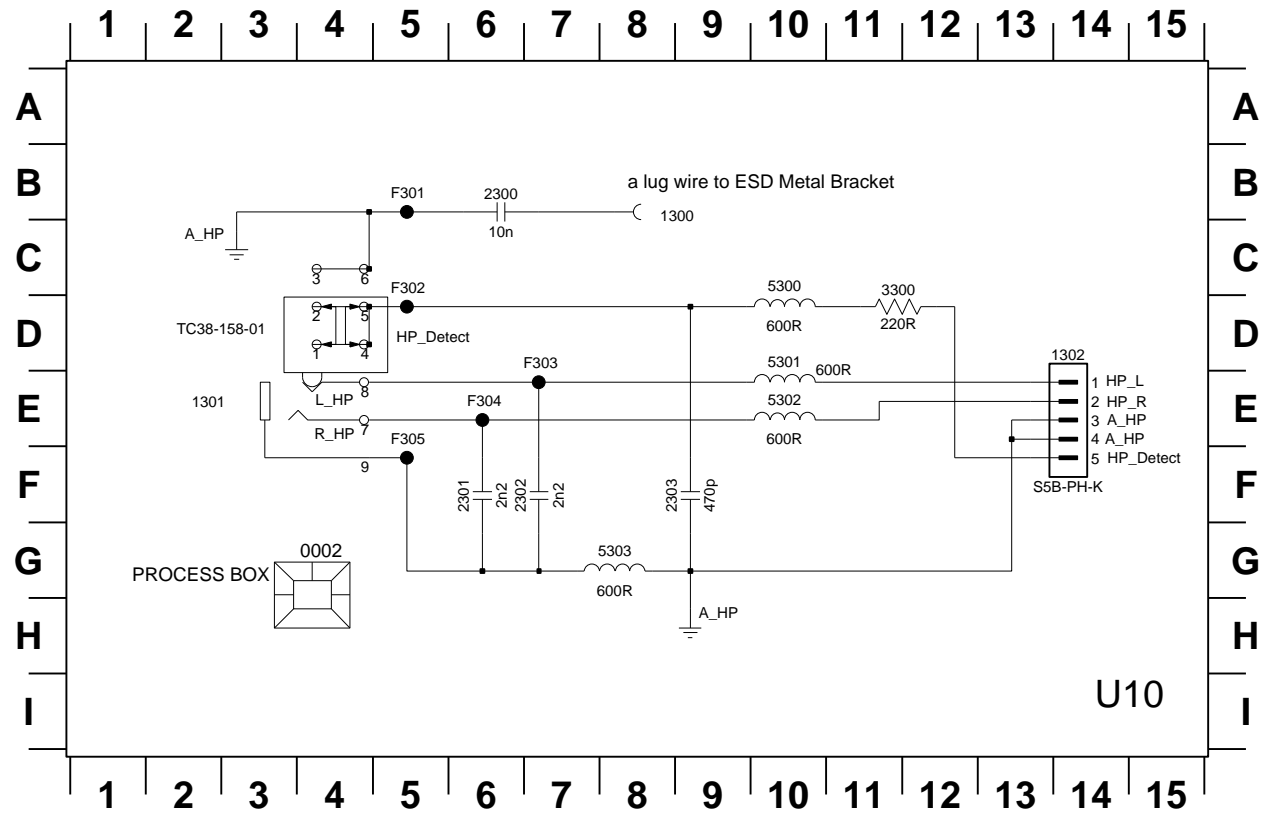
0002 A2
1400 A1
6400 A2



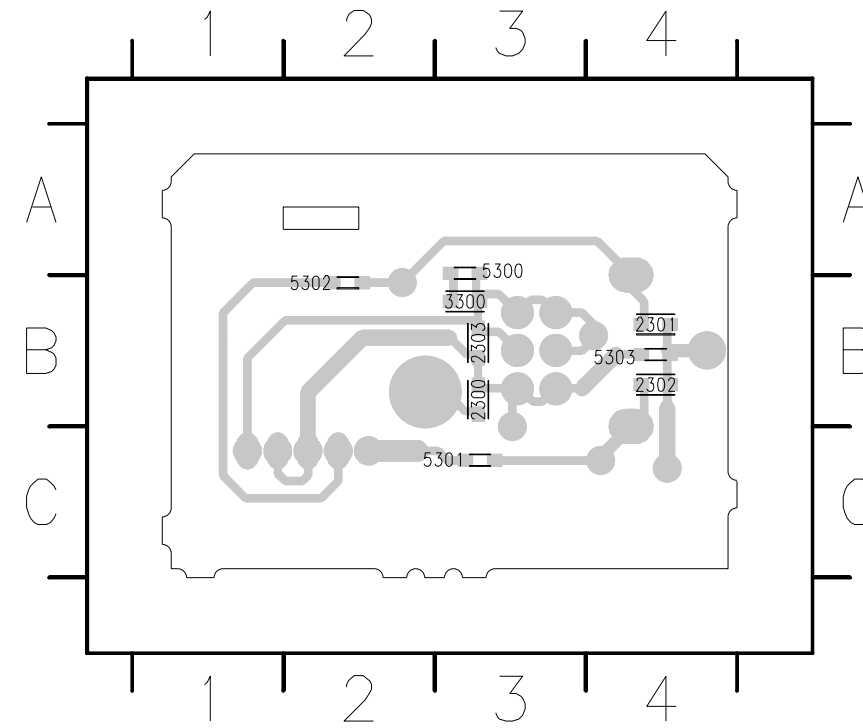
2400 A1

PB-Headphone

0002 G4 1301 E2 2300 B6 2302 F7 3300 C11 5301 D10 5303 G8 F302 C5 F304 E6
 1300 B9 1302 D14 2301 F6 2303 F9 5300 C10 5302 E10 F301 B5 F303 D7 F305 E5

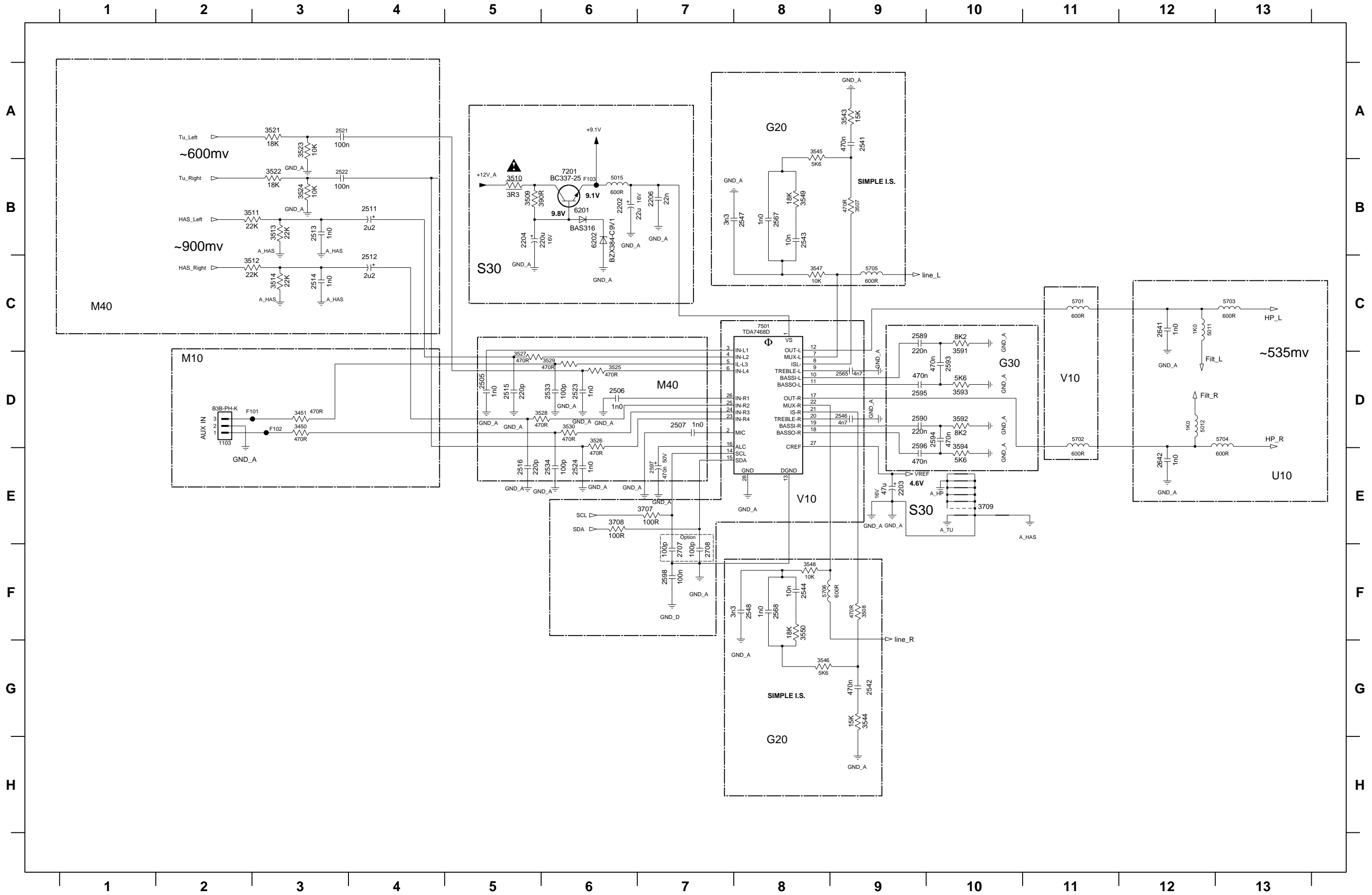


0002 C1
 1300 B3
 1301 B2
 1302 C3



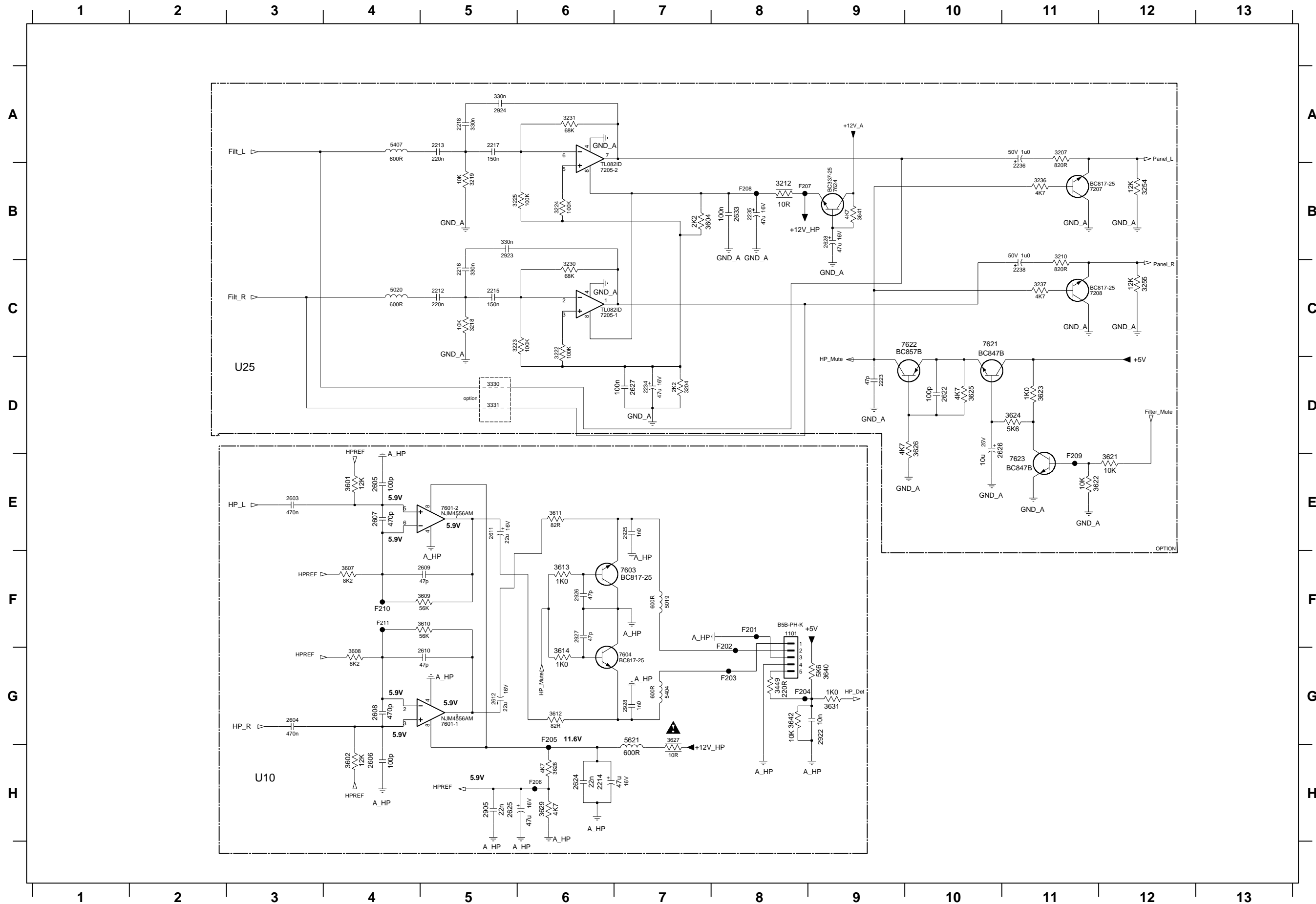
2300 B3
 2301 B4
 2302 B4
 2303 B3
 3300 B3
 5300 A3
 5301 C3
 5302 B2
 5303 B4

PB-AF& - Circuit Diagram (Part1)



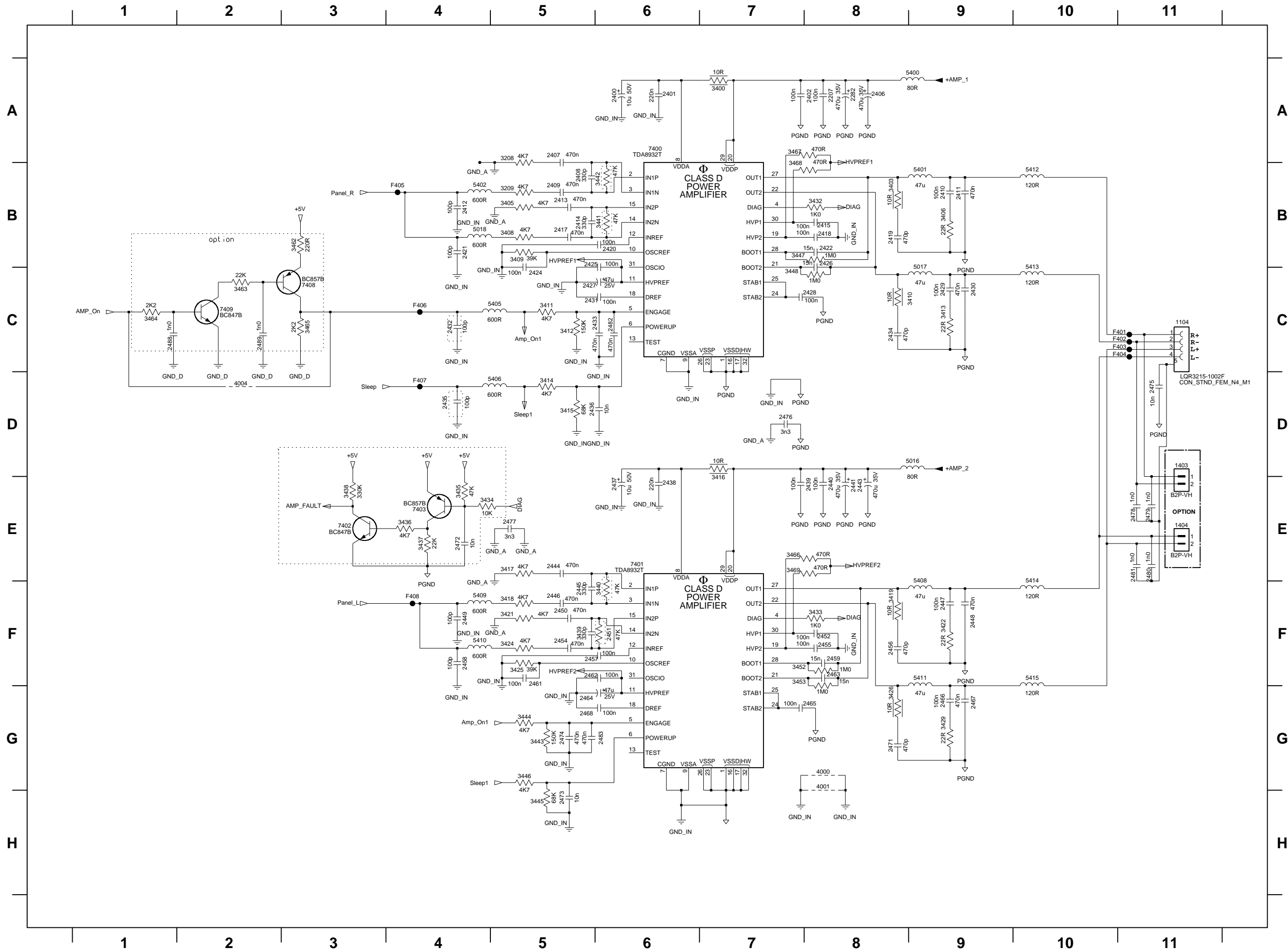
- 1103 D2
- 2202 B6
- 2203 E9
- 2204 B5
- 2206 B7
- 2505 D5
- 2506 D6
- 2507 D7
- 2511 B4
- 2512 C4
- 2513 B3
- 2514 C3
- 2515 D5
- 2516 E5
- 2521 A3
- 2522 B3
- 2523 D6
- 2524 E6
- 2533 D6
- 2534 E6
- 2541 A9
- 2542 G9
- 2543 B8
- 2544 F8
- 2545 D9
- 2547 B8
- 2548 F8
- 2555 D9
- 2567 B8
- 2568 F8
- 2589 C9
- 2590 D9
- 2593 D10
- 2594 D10
- 2595 D9
- 2596 E9
- 2597 E7
- 2598 F7
- 2641 C12
- 2642 E12
- 2707 F7
- 2708 F7
- 3450 D3
- 3451 D3
- 3507 B9
- 3508 F9
- 3509 B5
- 3510 B5
- 3511 B2
- 3512 C2
- 3513 B3
- 3514 C3
- 3521 A3
- 3522 B3
- 3523 A3
- 3524 B3
- 3525 D6
- 3526 D6
- 3527 D5
- 3528 D6
- 3529 D6
- 3530 D6
- 3543 A9
- 3544 G9
- 3545 A8
- 3546 G8
- 3547 C8
- 3548 F8
- 3549 B8
- 3550 F8
- 3591 C10
- 3592 D10
- 3593 D10
- 3594 E10
- 3707 E7
- 3708 E6
- 3709 E10
- 5011 C12
- 5012 D12
- 5015 B6
- 5701 C11
- 5702 D11
- 5703 C13
- 5704 D13
- 5705 C9
- 5706 F8
- 6201 B6
- 6202 B6
- 7201 B6
- 7501 C8
- F101 D3
- F102 D3
- F103 B6

PB-AF& - Circuit Diagram (Part2)



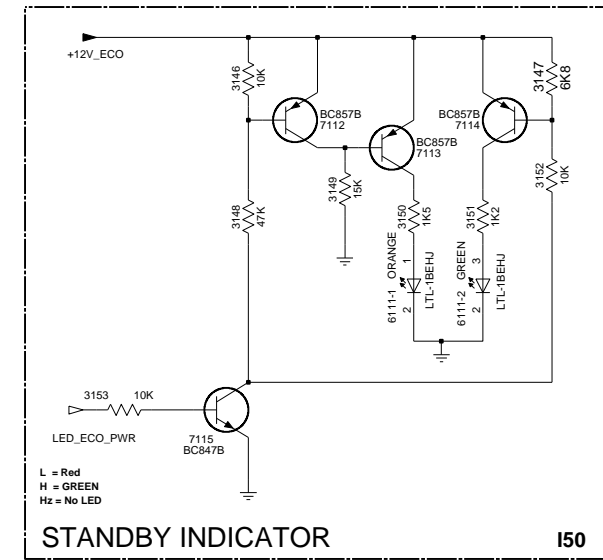
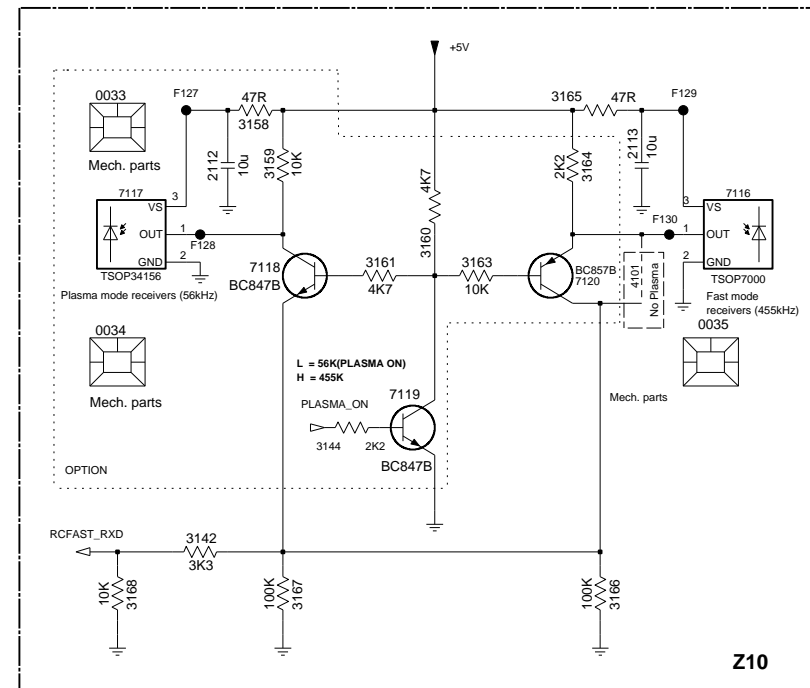
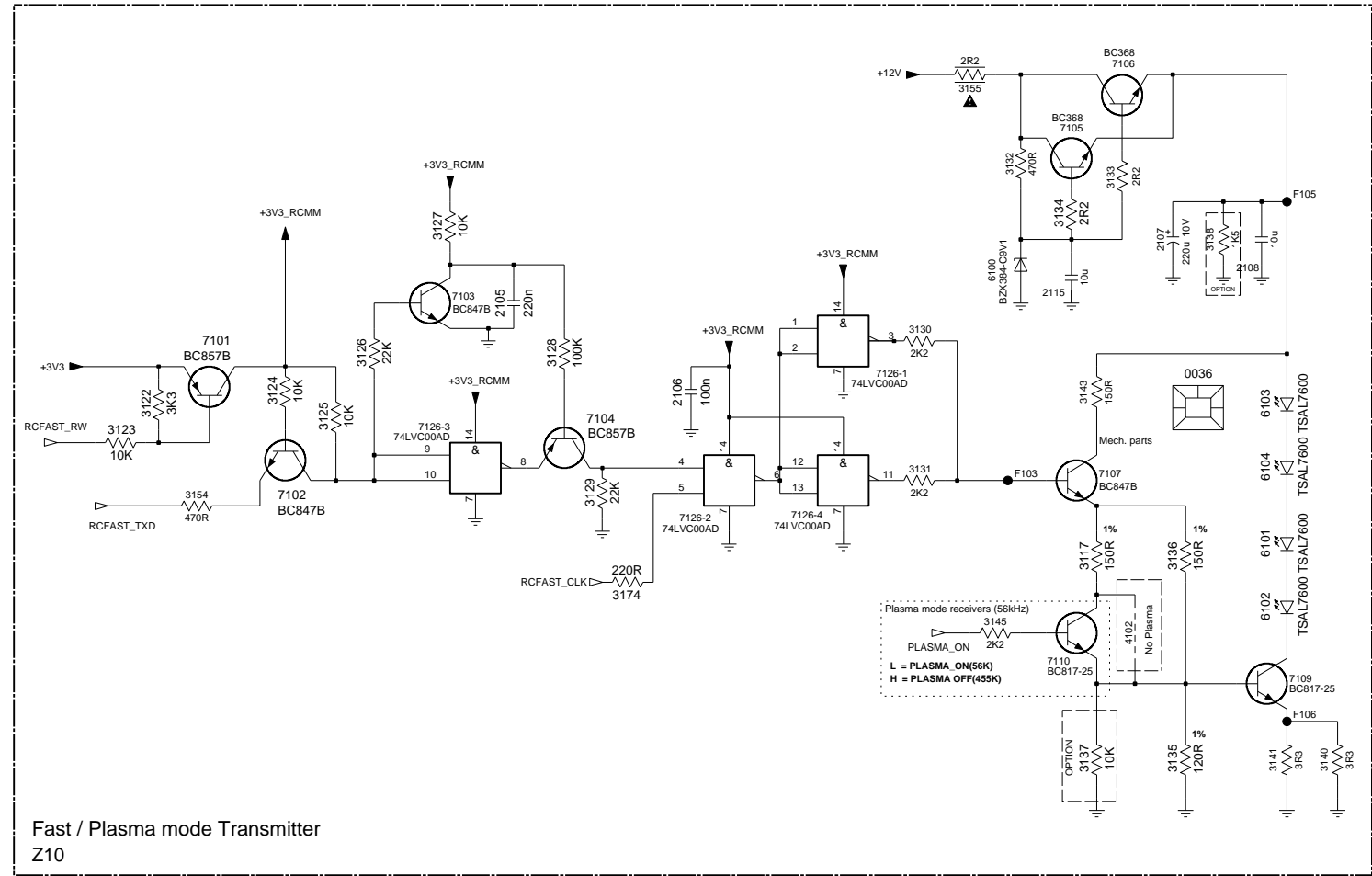
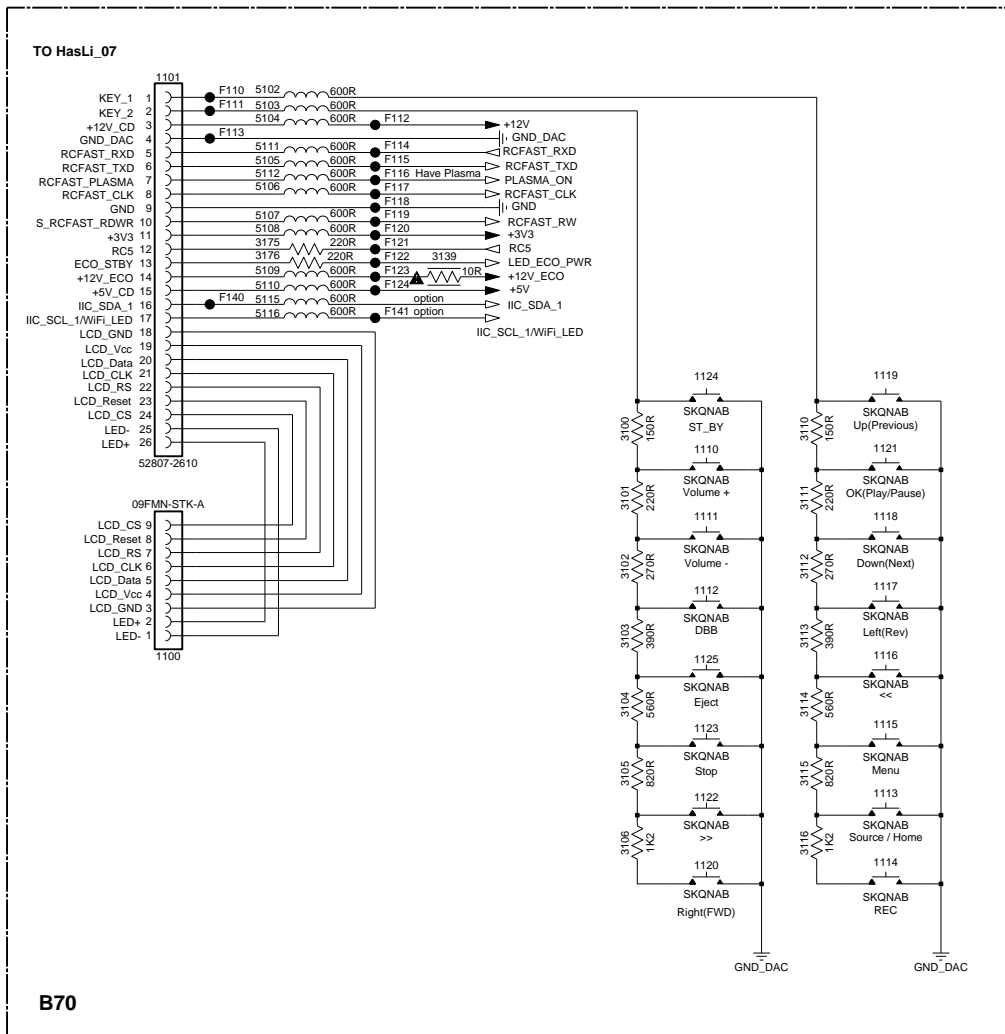
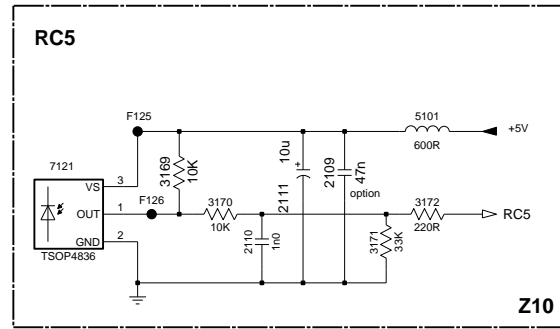
- 1101 F8
- 2212 C5
- 2213 A5
- 2214 H6
- 2215 C5
- 2216 C5
- 2217 A5
- 2218 A5
- 2233 D9
- 2234 D7
- 2235 B8
- 2236 B11
- 2238 C11
- 2603 E3
- 2604 G3
- 2605 E4
- 2606 H4
- 2607 E4
- 2608 G4
- 2609 F5
- 2610 G5
- 2611 E5
- 2612 G5
- 2622 D10
- 2624 H6
- 2625 H5
- 2626 D10
- 2627 D7
- 2628 B9
- 2633 B8
- 2905 H5
- 2922 G9
- 2923 B5
- 2924 A5
- 2925 E7
- 2926 F6
- 2928 G7
- 3204 D7
- 3207 A11
- 3210 B11
- 3212 B8
- 3218 C5
- 3219 B5
- 3222 C6
- 3223 C5
- 3224 B6
- 3225 B5
- 3230 C6
- 3231 A6
- 3236 B11
- 3237 C11
- 3254 B12
- 3255 C12
- 3300 D5
- 3301 D5
- 3449 G8
- 3601 E4
- 3602 H4
- 3604 B7
- 3607 F4
- 3608 G4
- 3609 F5
- 3610 F5
- 3611 E6
- 3612 G6
- 3613 F6
- 3614 G6
- 3621 E12
- 3622 E11
- 3623 D11
- 3624 D11
- 3625 D10
- 3626 D10
- 3627 G7
- 3628 H6
- 3629 H6
- 3631 G9
- 3640 G9
- 3641 B9
- 3642 G8
- 5019 F7
- 5020 C4
- 5404 G7
- 5407 A4
- 5621 G7
- 7205-1 C6
- 7205-2 B6
- 7207 B11
- 7208 C11
- 7601-1 G5
- 7601-2 E5
- 7603 F7
- 7604 G7
- 7621 C10
- 7622 C10
- 7623 E11
- 7624 B9
- F201 F8
- F202 G8
- F203 G8
- F204 G8
- F205 G6
- F206 H6
- F207 B8
- F208 B8
- F209 E11
- F210 F4
- F211 F4

PB-AF& - Circuit Diagram (Part4)

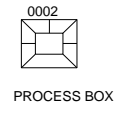


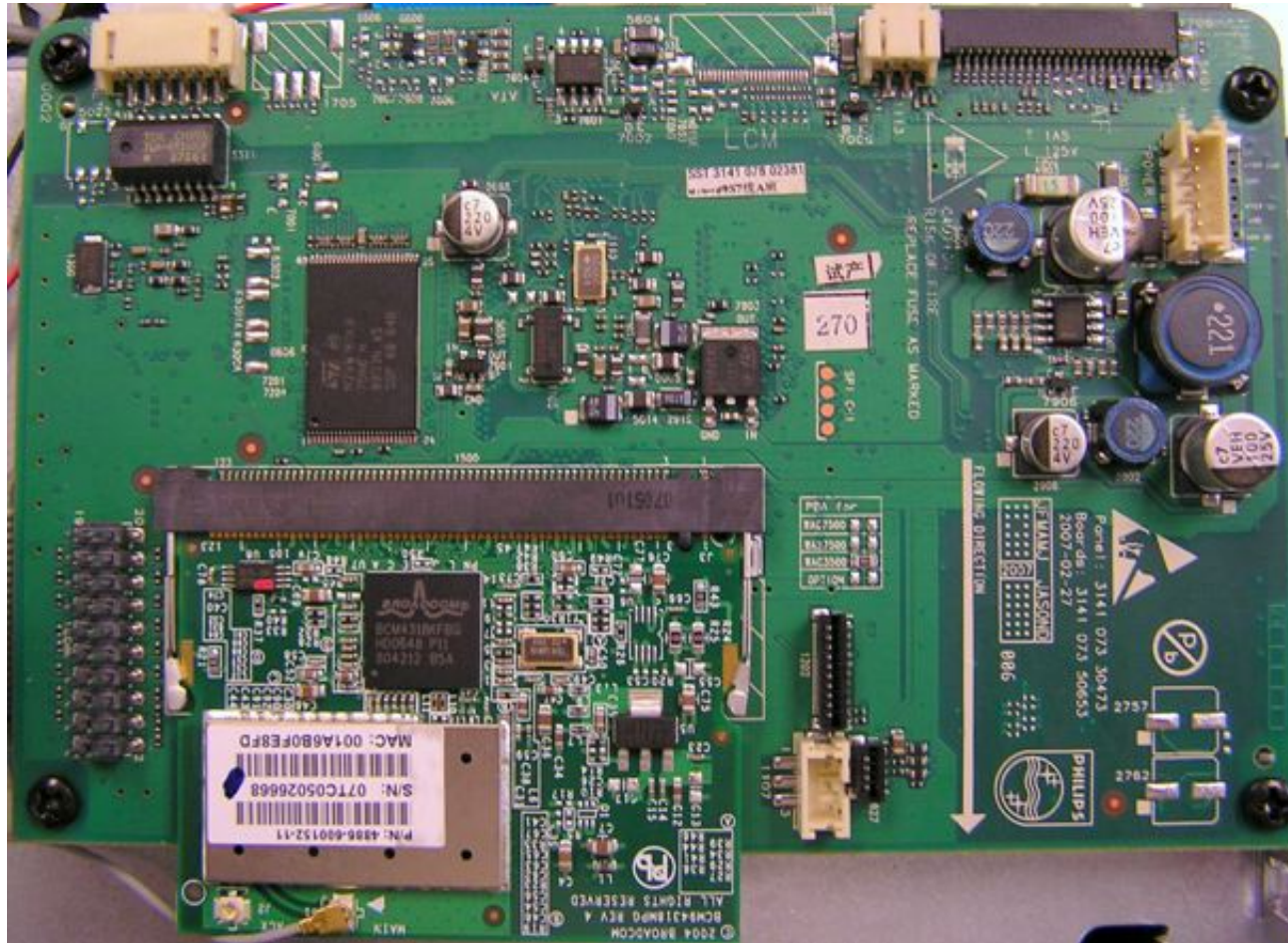
- 1104 C11
- 1403 D11
- 1404 E11
- 2207 A8
- 2282 A8
- 2400 A6
- 2401 A6
- 2402 A8
- 2406 A8
- 2407 A5
- 2408 B5
- 2409 B5
- 2410 B9
- 2411 B9
- 2412 B4
- 2413 B5
- 2414 B5
- 2415 B8
- 2417 B5
- 2418 B8
- 2419 B8
- 2420 B6
- 2421 B4
- 2422 B8
- 2424 C5
- 2425 B5
- 2426 B8
- 2427 C5
- 2428 C8
- 2429 C9
- 2430 C9
- 2431 C5
- 2432 C4
- 2433 C6
- 2434 C8
- 2435 D4
- 2436 D5
- 2437 E6
- 2438 E6
- 2439 E8
- 2440 E8
- 2441 E8
- 2443 E8
- 2444 E5
- 2445 F5
- 2446 F5
- 2447 F9
- 2448 F9
- 2449 F4
- 2450 F5
- 2451 F6
- 2452 F8
- 2454 F5
- 2455 F8
- 2456 F8
- 2457 F5
- 2458 F4
- 2459 F8
- 2461 F5
- 2462 F5
- 2463 F8
- 2464 G5
- 2465 G8
- 2466 G9
- 2467 G9
- 2468 G5
- 2471 G8
- 2472 E4
- 2473 H5
- 2474 G5
- 2475 D11
- 2476 D7
- 2477 E5
- 2478 E11
- 2479 E11
- 2480 E11
- 2481 E11
- 2482 C6
- 2483 G6
- 2488 C1
- 2489 C2
- 3208 A5
- 3209 B5
- 3400 A7
- 3403 B8
- 3405 B5
- 3406 B9
- 3408 B5
- 3409 B5
- 3410 C8
- 3411 C5
- 3412 C5
- 3413 C9
- 3414 D5
- 3415 D5
- 3416 D7
- 3417 E5
- 3418 F5
- 3419 F8
- 3421 F5
- 3422 F9
- 3424 F5
- 3425 F5
- 3426 G8
- 3429 G9
- 3432 B8
- 3433 F8
- 3434 E4
- 3435 E4
- 3436 E4
- 3437 E4
- 3438 E3
- 3439 F5
- 3440 F6
- 3441 B6
- 3442 B6
- 3443 G5
- 3444 G5
- 3445 H5
- 3446 G5
- 3447 B7
- 3448 C7
- 3452 F7
- 3453 F7
- 3462 B3
- 3463 C2
- 3464 C1
- 3465 C3
- 3466 E7
- 3467 A7
- 3468 A7
- 3469 E7
- 4000 G8
- 4001 G8
- 4004 D2
- 5016 D9
- 5017 C9
- 5018 B4
- 5019 A9
- 5020 B9
- 5021 B4
- 5025 C5
- 5026 D5
- 5027 F9
- 5028 F4
- 5029 F4
- 5030 C11
- 5031 C11
- 5032 C11
- 5033 B4
- 5034 C4
- 5035 G8
- 5036 G8
- 5037 G9
- 5038 D7
- 5039 E11
- 5040 E11
- 5041 E6
- 5042 E3
- 5043 C2
- 5044 C3
- 5045 C2
- 5046 C1
- 5047 C5
- 5048 A5
- 5049 B5
- 5050 A7
- 5051 C5
- 5052 C9
- 5053 D5
- 5054 D5
- 5055 D7
- 5056 E5
- 5057 E11
- 5058 E11
- 5059 E11
- 5060 C6
- 5061 G6
- 5062 C1
- 5063 C2
- 5064 A5
- 5065 B5
- 5066 A7
- 5067 C5
- 5068 C9
- 5069 D5
- 5070 D5
- 5071 E5
- 5072 F5
- 5073 F8
- 5074 F5
- 5075 F9
- 5076 F5
- 5077 F5

PB-KEYS & IR - Circuit Diagram



- 0033 F6
- 0034 H6
- 0035 G9
- 0036 C12
- 1100 G1
- 1101 D1
- 1110 F4
- 1111 G4
- 1112 G4
- 1113 H5
- 1114 H5
- 1115 H5
- 1116 G5
- 1117 G5
- 1118 G5
- 1119 F5
- 1120 H4
- 1121 F5
- 1122 H4
- 1123 H4
- 1124 F4
- 1125 G4
- 2105 B9
- 2106 C10
- 2107 B2
- 2108 B13
- 2109 C3
- 2110 C3
- 2111 C3
- 2112 G7
- 2113 G9
- 2115 B12
- 3100 F4
- 3101 G4
- 3102 G4
- 3103 G4
- 3104 H4
- 3105 H4
- 3106 H4
- 3107 F4
- 3108 G4
- 3109 H4
- 3110 G4
- 3111 G4
- 3112 G4
- 3113 G4
- 3114 H4
- 3115 H4
- 3116 H4
- 3117 D12
- 3122 C7
- 3123 C6
- 3124 C7
- 3125 C8
- 3126 B8
- 3127 B8
- 3128 B8
- 3129 C9
- 3130 B11
- 3131 C11
- 3132 A11
- 3133 B12
- 3134 B12
- 3135 E12
- 3136 D12
- 3137 E12
- 3138 B13
- 3139 E3
- 3140 E13
- 3141 E3
- 3142 I7
- 3143 C12
- 3144 H7
- 3145 D11
- 3146 G12
- 3147 G13
- 3148 H12
- 3149 G12
- 3150 H12
- 3151 H13
- 3152 G13
- 3153 H11
- 3154 C7
- 3155 A11
- 3158 F7
- 3159 G7
- 3160 G8
- 3161 G8
- 3163 G8
- 3164 G9
- 3165 F9
- 3166 I9
- 3167 I7
- 3168 I6
- 3170 C2
- 3171 C3
- 3172 C4
- 3174 D9
- 3175 E2
- 3176 E2
- 4101 G9
- 4102 D12
- 5101 C4
- 5102 D2
- 5103 E2
- 5104 E2
- 5105 E2
- 5106 E2
- 5107 E2
- 5108 E2
- 5109 E2
- 5110 E2
- 5111 E2
- 5112 E2
- 5115 F2
- 5116 F2
- 5117 B1
- 5118 D13
- 5119 F4
- 5120 C13
- 5121 G4
- 5122 H12
- 5123 H12
- 5124 H12
- 5125 G12
- 5126 B7
- 5127 C7
- 5128 B8
- 5129 C8
- 5130 A12
- 5131 A12
- 5132 D13
- 5133 G12
- 5134 G13
- 5135 H11
- 5136 G10
- 5137 G6
- 5138 G7
- 5139 G7
- 5140 F12
- 5141 F2
- 5142 F2
- 5143 E2
- 5144 C2
- 5145 C2
- 5146 F7
- 5147 G7
- 5148 G7
- 5149 G7
- 5150 H12
- 5151 H13
- 5152 G13
- 5153 H11
- 5154 C7
- 5155 A11
- 5158 F7
- 5159 G7
- 5160 G8
- 5161 G8
- 5163 G8
- 5164 G9
- 5165 F9
- 5166 I9
- 5167 I7
- 5168 I6
- 5169 C2
- 5170 C2
- 5171 C3
- 5172 C4
- 5174 D9
- 5175 E2
- 5176 E2
- 4101 G9
- 4102 D12
- 5101 C4
- 5102 D2
- 5103 E2
- 5104 E2
- 5105 E2
- 5106 E2
- 5107 E2
- 5108 E2
- 5109 E2
- 5110 E2





HAS MODULE

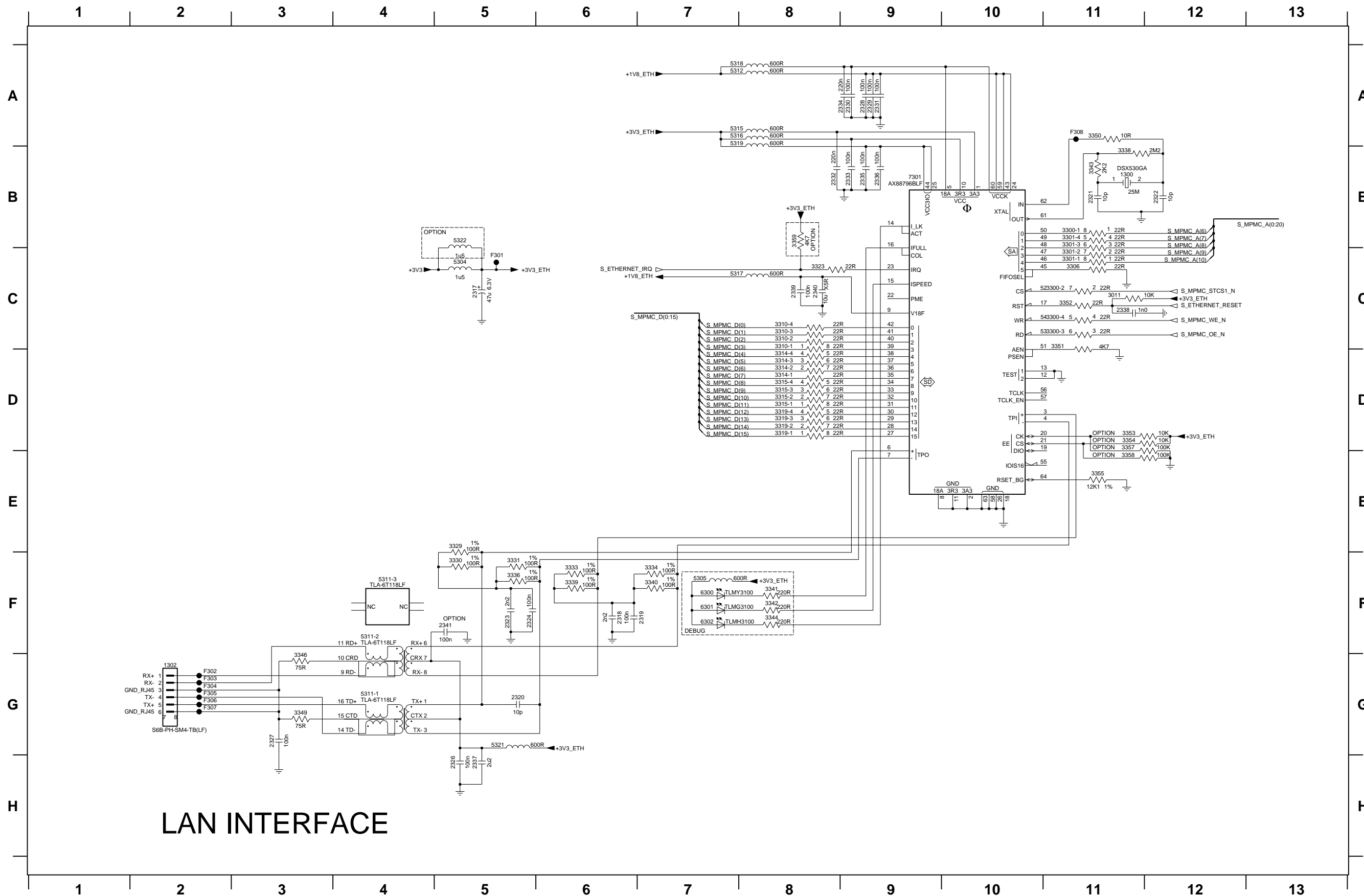
This module can only be repaired on component level
at authorized service workshop.

In case of defects please replace the entire board resp. the WiFi Card.

3141 078 02381HAS Printed Board Assembly - Europe

2822 065 01728WiFi Card Mini PCI

CIRCUIT DIAGRAM - Part 3 (ETHERNET)

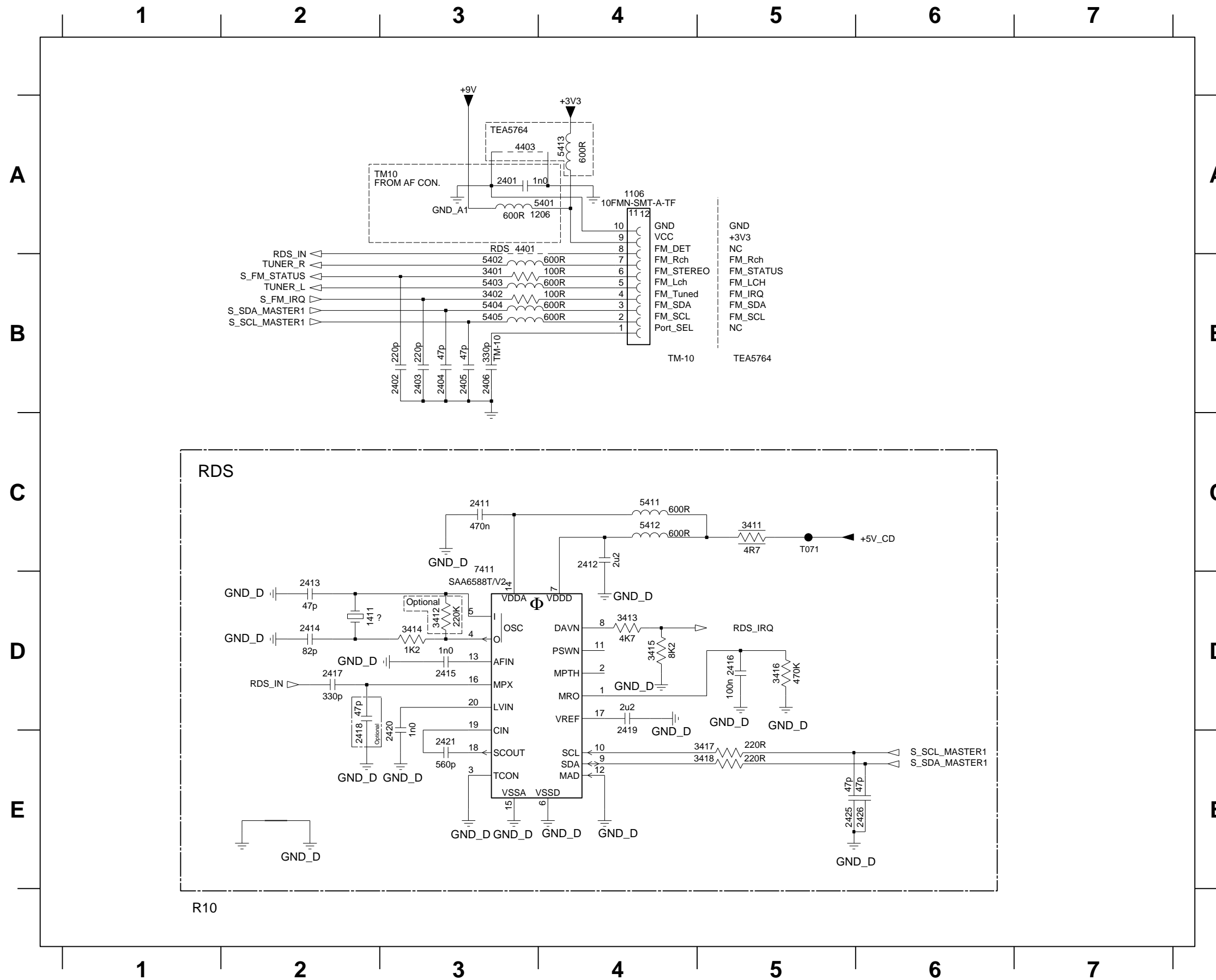


LAN INTERFACE

- 1300 B11
- 1302 G2
- 2317 C5
- 2318 F6
- 2319 F7
- 2320 G5
- 2321 B11
- 2322 B12
- 2323 F5
- 2324 F5
- 2326 H5
- 2327 G3
- 2328 A9
- 2329 A9
- 2330 A9
- 2331 A9
- 2332 B8
- 2333 B9
- 2334 A9
- 2335 B9
- 2336 B9
- 2337 H5
- 2338 C11
- 2339 C8
- 2340 C8
- 2341 F5
- 3011 C11
- 3300-1 B11
- 3300-2 C11
- 3300-3 C11
- 3300-4 C11
- 3301-1 C11
- 3301-2 C11
- 3301-3 B11
- 3301-4 B11
- 3306 C11
- 3310-1 C8
- 3310-2 C8
- 3310-3 C8
- 3310-4 C8
- 3314-1 D8
- 3314-2 D8
- 3314-3 D8
- 3314-4 D8
- 3315-1 D8
- 3315-2 D8
- 3315-3 D8
- 3315-4 D8
- 3319-1 D8
- 3319-2 D8
- 3319-3 D8
- 3319-4 D8
- 3323 C8
- 3329 E5
- 3330 F5
- 3331 F5
- 3333 F6
- 3334 F7
- 3336 F5
- 3338 B11
- 3339 F6
- 3340 F7
- 3341 F8
- 3342 F8
- 3343 B11
- 3344 F8
- 3346 G3
- 3349 G3
- 3350 A11
- 3351 C11
- 3352 C11
- 3353 D11
- 3354 D11
- 3355 E11
- 3357 D11
- 3358 E11
- 3359 B8
- 5304 C5
- 5305 F7
- 5311-1 G4
- 5311-2 F4
- 5311-3 F4
- 5312 A7
- 5315 A7
- 5316 A7
- 5317 C7
- 5318 A7
- 5319 A7
- 5321 G5
- 5322 B5
- 6300 F7
- 6301 F7
- 6302 F7
- 7301 B9
- F301 C5
- F302 G2
- F303 G2
- F304 G2
- F305 G2
- F306 G2

F307 G2
F308 A11

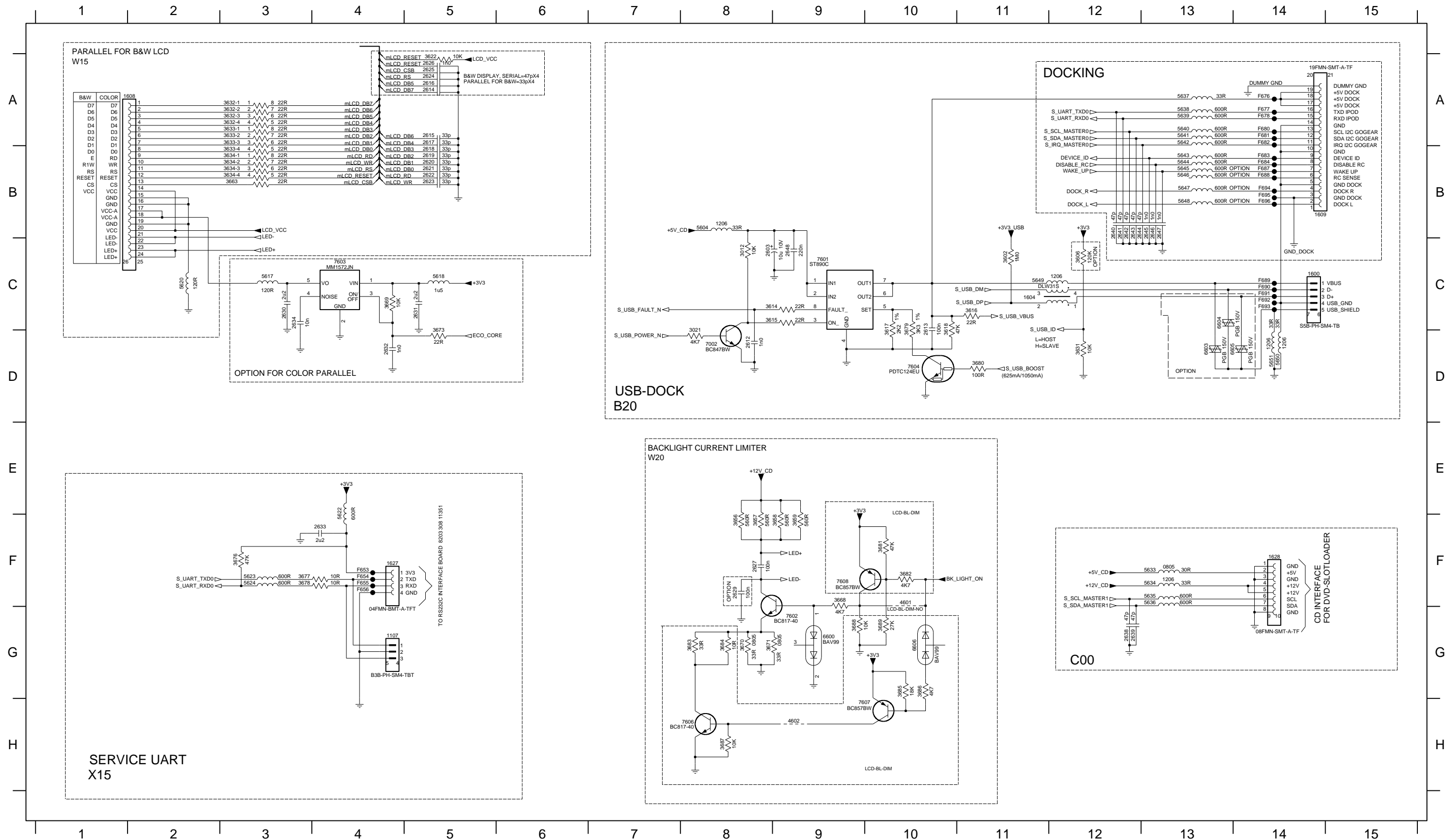
CIRCUIT DIAGRAM - Part 4 (TUNER)



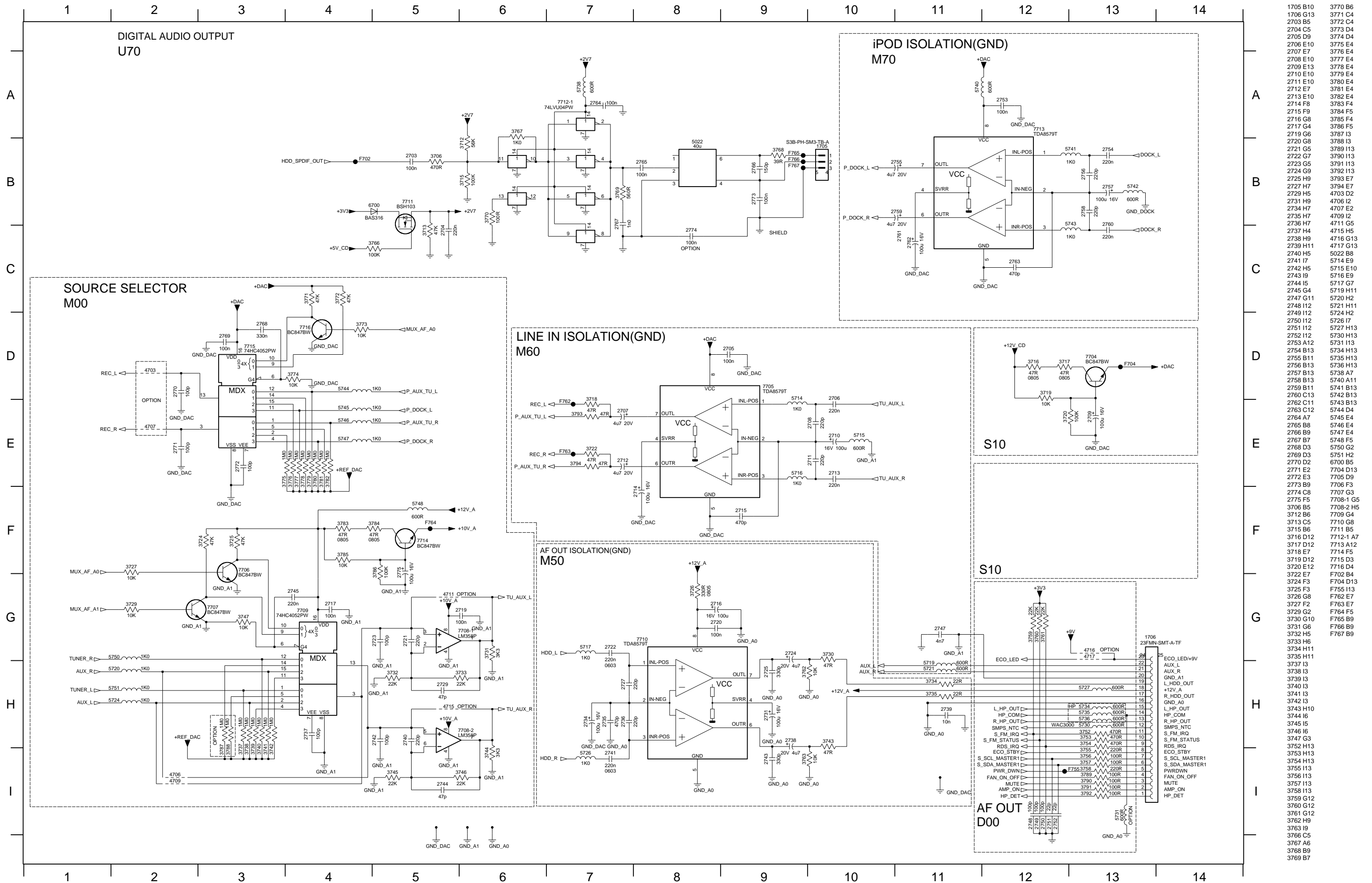
- 1106 A4
- 1411 D2
- 2401 A3
- 2402 B3
- 2403 B3
- 2404 B3
- 2405 B3
- 2406 B3
- 2411 C3
- 2412 C4
- 2413 D2
- 2414 D2
- 2415 D3
- 2416 D5
- 2417 D2
- 2418 E2
- 2419 D4
- 2420 E3
- 2421 E3
- 2425 E5
- 2426 E6
- 3401 B3
- 3402 B3
- 3411 C5
- 3412 D3
- 3413 D4
- 3414 D3
- 3415 D4
- 3416 D5
- 3417 E5
- 3418 E5
- 4401 A3
- 4403 A3
- 5401 A4
- 5402 B3
- 5403 B3
- 5404 B3
- 5405 B3
- 5411 C4
- 5412 C4
- 5413 A4
- 7411 D3
- T071 C5

CIRCUIT DIAGRAM - Part 6 (I/O Interface)

- 1107 G4 1627 F4 2614 A5 2619 B5 2624 A5 2630 C3 2638 G12 2643 B12 2648 C9 3614 C8 3622 A5 3632-4 A3 3634-1 B3 3657 F8 3669 C4 3677 F3 3682 F10 3687 H8 5604 B8 5623 F3 5636 F13 5641 A13 5646 B13 5651 D14 6606 G10 7604 D10 F654 F4 F678 A14 F684 B14 F691 C14 F996 B14
- 1600 C14 1628 F14 2615 A5 2620 B5 2625 A5 2631 C5 2639 G12 2644 B13 3012 C8 3615 C8 3631 D12 3633-1 A3 3634-2 B3 3658 F9 3670 G8 3678 F3 3683 G8 3688 G9 5617 C3 5624 F3 5637 A13 5642 B13 5647 B13 6600 G9 7002 D8 7606 H8 F655 F4 F680 A14 F687 B14 F692 C14
- 1604 C11 2603 C8 2616 A5 2621 B5 2626 A5 2632 D4 2640 B12 2645 B13 3021 D8 3616 C11 3632-1 A3 3633-2 A3 3634-3 B3 3659 F9 3671 G8 3679 C10 3684 G8 3689 G10 5618 C5 5633 F13 5638 A13 5643 B13 5648 B13 6603 D13 7601 C9 7607 H10 F656 F4 F681 A14 F688 B14 F693 C14
- 1608 A2 2612 D8 2617 A5 2622 B5 2627 F8 2633 F4 2641 B12 2646 B13 3602 C11 3617 C10 3632-2 A3 3633-3 A3 3634-4 B3 3663 B3 3673 D5 3680 D11 3685 G10 4601 F10 5620 C2 5634 F13 5639 A13 5644 B13 5649 C11 6604 C13 7602 G9 7608 F9 F657 A14 F676 A14 F682 A14 F689 C14 F994 B14
- 1609 B14 2613 C10 2618 B5 2623 B5 2629 F8 2634 C3 2642 B12 2647 B13 3606 C12 3618 C10 3632-3 A3 3633-4 B3 3656 F8 3668 F9 3676 F3 3681 F10 3686 G10 4602 H9 5622 E4 5635 F13 5640 A13 5645 B13 5650 D14 6605 D14 7603 C4 F653 F4 F677 A14 F683 B14 F690 C14 F995 B14



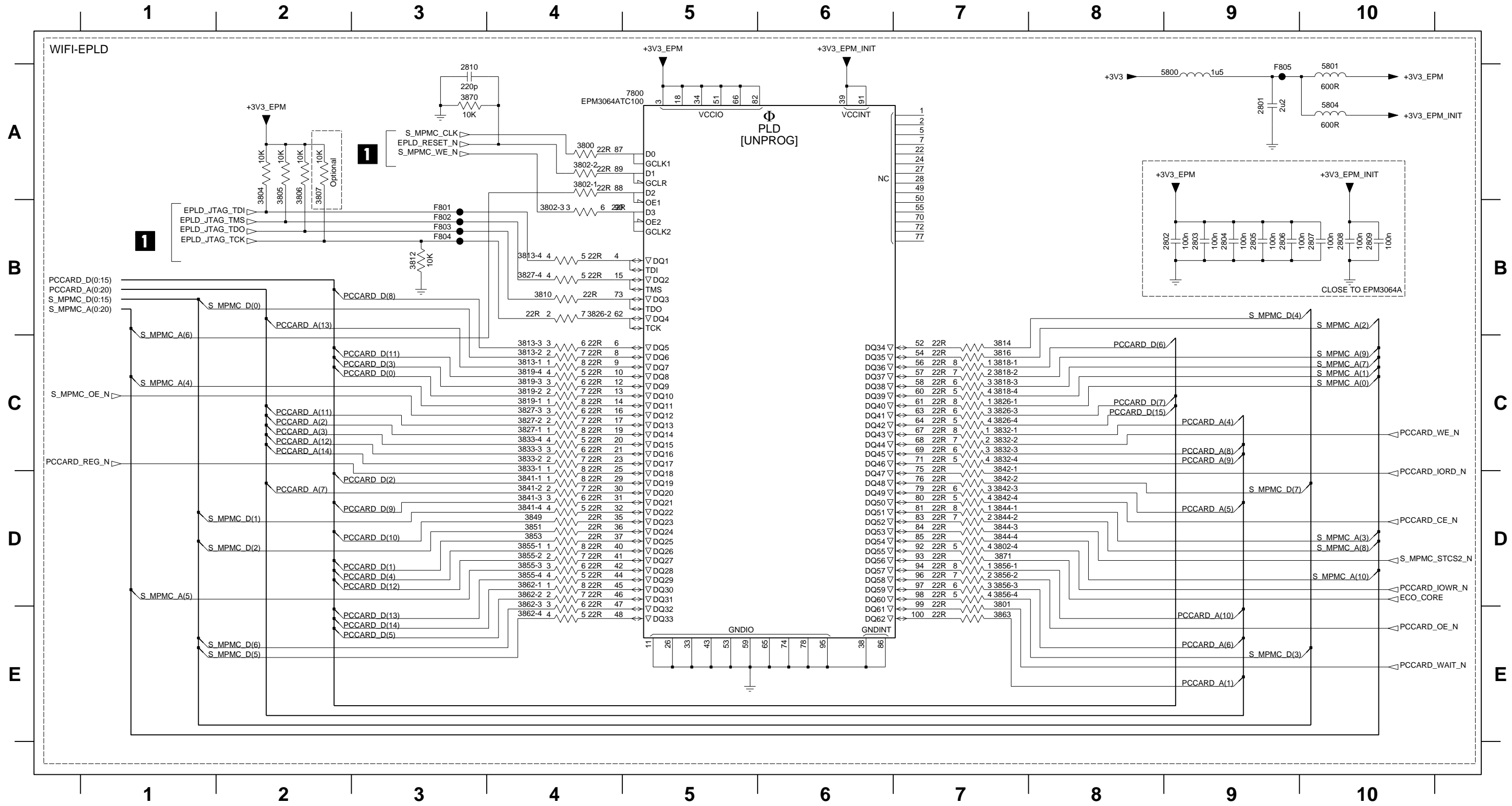
CIRCUIT DIAGRAM - Part 7 (AF Part)



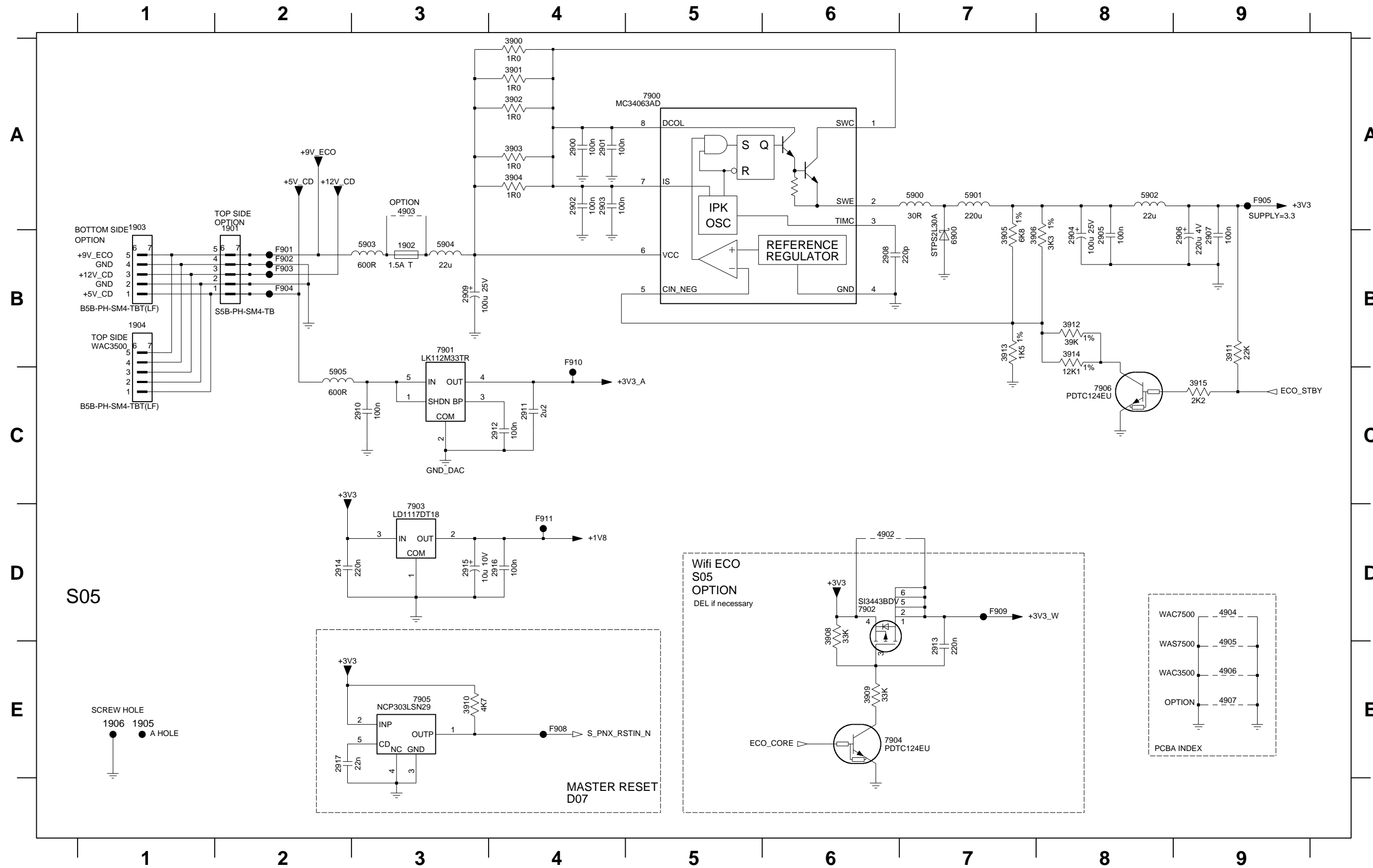
1705 B10	3770 B6
1706 G13	3771 C4
2703 B5	3772 C4
2704 C5	3773 D4
2705 D9	3774 D4
2706 E10	3775 E4
2707 E7	3776 E4
2708 E10	3777 E4
2709 E13	3778 E4
2710 E10	3779 E4
2711 E10	3780 E4
2712 E7	3781 E4
2713 E10	3782 E4
2714 F8	3783 F4
2715 F9	3784 F5
2716 G8	3785 F4
2717 G4	3786 F5
2719 G6	3787 I3
2720 G8	3788 I3
2721 G5	3789 I13
2722 G7	3790 I13
2723 G5	3791 I13
2724 G9	3792 I13
2725 H9	3793 E7
2727 H7	3794 E7
2729 H5	4703 D2
2731 H9	4706 I2
2734 H7	4707 E2
2735 H7	4709 I2
2736 H7	4711 G5
2737 H4	4715 H5
2738 H9	4716 G13
2739 H11	4717 G13
2740 H5	5022 B8
2741 I7	5714 E9
2742 H5	5715 E10
2743 I9	5716 E9
2744 I5	5717 G7
2745 G4	5719 H11
2747 G11	5720 H2
2748 I12	5721 H11
2749 I12	5724 H2
2750 I12	5726 I7
2751 I12	5727 H13
2752 I12	5730 H13
2753 A12	5731 I13
2754 B13	5734 H13
2755 B11	5735 H13
2756 B13	5736 H13
2757 B13	5738 A7
2758 B13	5740 A11
2759 B11	5741 B13
2760 C13	5742 B13
2762 C11	5743 B13
2763 C12	5744 D4
2764 A7	5745 E4
2765 B8	5746 E4
2766 B9	5747 E4
2767 B7	5748 F5
2768 D3	5750 G2
2769 D3	5751 H2
2770 D2	6700 B5
2771 E2	7704 D13
2772 E3	7705 D9
2773 B9	7706 F3
2774 C8	7707 G3
2775 F5	7708-1 G5
3705 B5	7708-2 H5
3712 B6	7709 G4
3713 C5	7710 G8
3715 B6	7711 B5
3716 D12	7712-1 A7
3717 D12	7713 A12
3718 E7	7714 F5
3719 D12	7715 D3
3720 E12	7716 D4
3722 E7	7704 B4
3724 F3	7704 D13
3725 F3	7704 F5
3726 G8	7762 E7
3727 F2	7763 E7
3729 G2	7764 F5
3730 G10	7765 B9
3731 G6	7766 B9
3732 H5	7767 B9
3733 H6	
3734 H11	
3737 I3	
3738 I3	
3739 I3	
3740 I3	
3741 I3	
3742 I3	
3743 H10	
3744 I6	
3745 I5	
3746 I6	
3747 G3	
3752 H13	
3753 H13	
3754 H13	
3755 I13	
3756 I13	
3757 I13	
3758 I13	
3759 G12	
3760 G12	
3761 G12	
3762 H9	
3763 I9	
3766 C5	
3767 A6	
3768 B9	
3769 B7	

CIRCUIT DIAGRAM - Part 8 (PLD)

2801 A9	2806 B9	3800 A4	3802-4 D7	3810 B4	3813-4 B4	3818-3 C7	3819-4 C4	3827-1 C4	3832-2 C7	3833-3 C4	3841-4 D4	3844-1 D7	3851 D4	3855-4 D4	3862-1 D4	3870 A3	7800 A5	F805 A9
2802 B9	2807 B10	3801 E7	3804 A2	3812 B3	3814 C7	3818-4 C7	3826-1 C7	3827-2 C4	3832-3 C7	3833-4 C4	3842-1 D7	3844-2 D7	3853 D4	3856-1 D7	3862-2 D4	3871 D7	F801 B3	
2803 B9	2808 B10	3802-1 A4	3805 A2	3813-1 C4	3816 C7	3819-1 C4	3826-2 B4	3827-3 C4	3832-4 C7	3841-1 D4	3842-2 D7	3844-3 D7	3855-1 D4	3856-2 D7	3862-3 E4	5800 A9	F802 B3	
2804 B9	2809 B10	3802-2 A4	3806 A2	3813-2 C4	3818-1 C7	3819-2 C4	3826-3 C7	3827-4 B4	3833-1 D4	3841-2 D4	3842-3 D7	3844-4 D7	3855-2 D4	3856-3 D7	3862-4 E4	5801 A10	F803 B3	
2805 B9	2810 A3	3802-3 B4	3807 A2	3813-3 C4	3818-2 C7	3819-3 C4	3826-4 C7	3832-1 C7	3833-2 C4	3841-3 D4	3842-4 D7	3849 D4	3855-3 D4	3856-4 D7	3863 E7	5804 A10	F804 B3	



CIRCUIT DIAGRAM - Part 9 (SUPPLY)



- 1901 A2
- 1902 B3
- 1903 A1
- 1904 B1
- 1905 E1
- 1906 E1
- 2900 A4
- 2901 A4
- 2902 A4
- 2903 A4
- 2904 B8
- 2905 B8
- 2906 B9
- 2907 B9
- 2908 B6
- 2909 B3
- 2910 C3
- 2911 C4
- 2912 C4
- 2913 E7
- 2914 D2
- 2915 D3
- 2916 D4
- 2917 E2
- 3900 A4
- 3901 A4
- 3902 A4
- 3903 A4
- 3904 A4
- 3905 B7
- 3906 B7
- 3908 D6
- 3909 E6
- 3910 E3
- 3911 B9
- 3912 B8
- 3913 B7
- 3914 B8
- 3915 C9
- 4902 D6
- 4903 A3
- 4904 D9
- 4905 E9
- 4906 E9
- 4907 E9
- 5900 A7
- 5901 A7
- 5902 A8
- 5903 B3
- 5904 B3
- 5905 C2
- 6900 B7
- 7900 A5
- 7901 B3
- 7902 D6
- 7903 D3
- 7904 E6
- 7905 E3
- 7906 C8
- F901 B2
- F902 B2
- F903 B2
- F904 B2
- F905 A9
- F908 E4
- F909 D7
- F910 B4
- F911 D4

ACCESSORIES PARTS LIST

0455	2422 076 00652	CBLE CINCH 1M5 CINCH WHRD B
0456	2422 076 00687	ANT FM DIP SD-2380 B
0457	3141 078 70301	INSTALLER-SW(CDR) WAC-3500D/12
0458	2422 076 00569	CBLE LAN 1M5 LAN RJ45 B
0460	3139 238 14861	PROD ASSY RC2023612/01 PKD
0469	△ 2422 070 98151	MAINSCORD EUR 2A5 1M5 DET 2P B
0469	△ 2422 070 98248	MAINSCORD AUS/NZ 1M5 DET 2P B
0469	△ 2422 070 98151	MAINSCORD EUR 2A5 1M5 DET 2P B
0469	△ 2422 070 98147	MAINSCORD UK 2A5 1M5 DET 2P B
0470	3141 078 50181	BOX SPK ASSY WAC3500D
0471	3141 078 70321	Docking DC1050/00

MECHNICAL & ELECTRICAL PARTS LIST

0201	3141 077 51181	CAB F PRE-ASSY WAC3500D/12
0202	3141 077 51191	CABINET TOP PRE-ASSY WAC3500D
0208	3141 074 03761	PANEL LEFT WAC3500/12
0209	3141 074 03771	PANEL RIGHT WAC3500/12
0210	3141 077 51201	CD DOOR PRE-ASSY WAC3500D
0211	3141 074 01841	FOOT RUBBER WAC5
0236	3141 071 20641	BRACKET HDD/DVD WAC3500
0237	3141 074 04311	DAMPER HDD D25 WAC3500D
0245	3141 074 04301	PAD SMPS WAC3500D
0246	3141 074 04331	ISOLATOR PIN WAC3500D
0247	3141 074 03851	HOLDER ANTENNA WAC3500D
1000	3141 078 02311	PBAS AF & AMP WAC3500D/RDS
1002	2822 031 00065	FAN 12VDC 0.8W 3100RPM B
1000	3141 078 02381	PBAS HasLi-07(WAC3K5D_EU_RDS)
1003	2822 065 01728	WMOD WIFIG MPC1 MP-G-BR-05 Y
1002	3141 070 50421	PRG. ASSY HDD WAC3500D V1.0
1004	△ 3141 078 50171	SMPS 135VA - WAC3500D/55
1004	△ 3141 078 50231	SMPS 135VA - WAC3500D/05
1005	2422 542 00049	TUN FM ENG07826QF EUR B
1006	3141 070 50401	PRG.ASSY DVDROM SHD-16P1S
1006	3141 070 50411	PRG.ASSY DVDROM LH-16D1P
1007	2722 171 00524	LCD MODULE PCE2035-02 (VARI) Y
1008	2422 076 00717	ANT WIFI 2450MHZ 50R Y
1009	2422 549 00668	ANT WIFI WAS5 B
1011	3141 078 02331	PBAS Keys & IR WAC3500D
1012	3141 078 02341	PBAS - AUDIO in/out WAC3500D
1013	3141 078 02351	PBAS 7 - Headphone WAC3500D
1014	3141 078 02361	PBAS 6 - WiFi-light WAC3500D
8003	3141 070 21691	FFC 10P/430/10P BD 1.25mm FOLD
8007	3141 070 21711	FFC 19P/180/19P BD 1MMP FOLD
8008	3141 070 21681	FFC 23P/200/23P 1MM BD FOLD
8011	3141 070 21701	FFC 26P/280/26P BD 1MM FOLD
8012	3141 070 21621	CBLE 5P PH/250 /USB-A (REC)
8013	3141 070 21721	CBLE IDE 40P/165/20P
8017	3141 070 21661	CBLE PH 02P/340/02P PH 26ST BK
ZZ01	3141 079 43291	PANEL FRONT WAC3500

Note: Only these parts mentioned in the list are normal service parts.